



WABCO

PAN17, PAN19-1, PAN22-1
PAN19-2, PAN22-2
1000,1300,1600 VG Series
MAXX 17, 19, 22
MAXX 22T, 22L
MAXXUS

All Original Numbers, Marks and Models from
Vehicle Manufacturers Listed in this catalogue
are for comparison purposes only



www.brakingtech.com



Replace Pin Bushes Without Any Damage

BTA81K001

Description :
 Replacement Tools for All

Application : :
 Useful for all Knorr,Wabco,Haldex,Meritor Variants

OEM No :
 ZB9032, I132203, Z004190, Z004361, Z003934, K016743, K015825, Z004354, Z004198, K005986, 02.0130.42.00, 02.0130.39.00, 02.0130.62.00, 02.0130.66.00, 02.0130.57.00, 02.0130.65.00, 02.0130.40.00, 02.0130.63.00, 02.0130.41.00, 02.0130.59.00, 02.0130.58.00, K039062K50, BTA81K001, K158880K50, K037001, I137951004, 4006083750, 640 195 522 2, 640 322 522 2, 300 100 014 2, 791-95231, 81922, P/N 81921, 81920, 89778, 89652, 89936, 81918, K028829

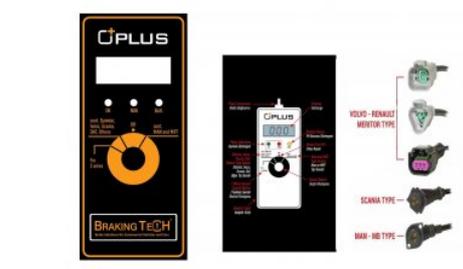


BTA81K002

Description :
 Potentiometer Tester Knorr Type 1(Auto)

Application : :
 Knorr-Bremse diagnostic unit K154433N50

OEM No :
 K154433N50

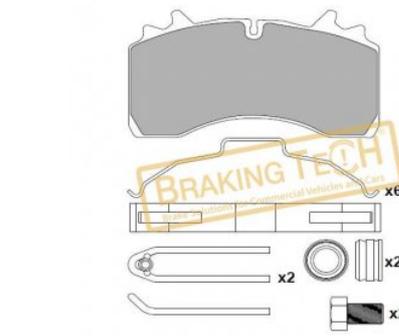


BTA81K002-01

Description :
 Potentiometer Tester Knorr Type 2

Application : :
 Knorr-Bremse diagnostic unit K154433N50,also usefull for wabco maxx and meritor sensors

OEM No :
 K154433N50



BTF5552023

Description :
 Brake Pad Wabco

No	BT No	Information
1	BTF5552023 x	Brake Pad 210,2 x 109,1 x ...

Application : :
 SAF, For Caliper: WABCO PAN 22-1 Weight: 9,40

OEM No :
 3057008400, 3057008401, 0233501309

WVA :
 29162

BTG01001



Description :

Grease Oil(White)

Application : :

Content is 5gr.For metal&rubber items in Airbrake system

OEM No :

114525, 1132868, K93430, 1132793, S-29152-12

BTKW11001

Description :

Caliper (Brake Chamber) Bellow Seal

No	BT No	Information
1	BTKW11001 x 1	Seal 56,50(O.D)

Application : :

Special Design for Knorr&Wabco

BrakeChambers

OEM No :

SerinFren

1



BTP5755

Description :

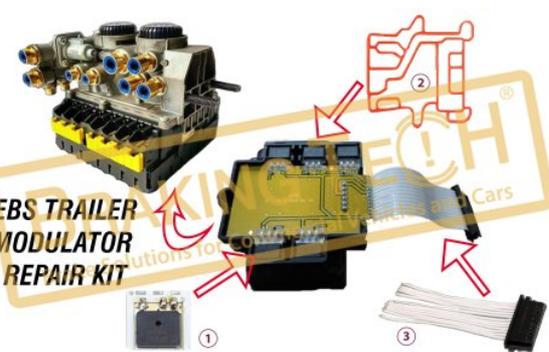
Brake Pressure Sensor&Repair Components for EBS E Modulators

Application : :

TEBS E SERIES E Trailer Modulators WABCO Repair Kits

OEM No :

4741500011, 474 150 0011, 474 150 0011, 00 50 036 944, 00 50 036 9 44, L2912IK1115



BTW0101994

Description :

Caliper Wabco with Carrier Pan19,5"(R/H)

Application : :

KOGEL,GIGANT,SCHWARZMÜLLER,SCHMITZ,VALX

OEM No :

40195038, 40195028, 3080003220, 40195018, 40195002, 877931, 3080001801, 40195004, 0877931, 09285258, 3080003201, 50302001, 829753, 6413026, 8704020300, 40195020, 40 195 036, 640 195 018 0, 42-3303, 40195038X





BTW0101995

Description :
 Caliper Wabco with Carrier Pan19,5"(L/H)

Application :
 KOGEL,GIGANT,SCHWARZMÜLLER,SCHMITZ,VALX

OEM No :
 40195037, 40195027, 866216, 1020778, 6500701, 3080001901, 40195017, 40195003, 40195001, 0877930, 09285257, 3080003301, 50300001, 829752, 6413027, 8702904771, 40195019, 40 195 035, 640 195 017 0, 640 195 087 0, 40195037X, 42-3302



BTW30001

Description :
 Adjusting Mechanism Complete

Application :
 DAF 55 LF,DENNIS Enviro,SMB,GIGANT,SAF SK RB 9019

OEM No :
 BraKingTech

No	BT No	Information
1	BTT180 x 1	Adjusting Mechanism
2	BTY21 x 2	Spring



BTW30002

Description :
 Adjusting Mechanism Complete

Application :
 MAN L2000,OPTARE,BMC,Isuzu,OTOKAR,MB MICROBUS 712C,DAF 45 LF,R.V.I.Midlum,IVECO Eurocargo110E,120E

OEM No :
 4124303502

No	BT No	Information
1	BTT181 x 1	Adjusting Mechanism
2	BTY21 x 2	Spring



BTW30003

Description :
 Adjusting Mechanism Complete

Application :
 M-BENZ MICROBUS 712C 914C L0914

OEM No :
 BraKingTech

No	BT No	Information
1	BTT182 x 1	Adjusting Mechanism(Slott ...
2	BTY21 x 1	Spring



BTW30004			
Description :	No	BT No	Information
Caliper Mechanism Housing	1	BTT183 x 1	Bridge
Application : DAF,DENNIS,SAF,GIGANT,SAE,SMB			
OEM No : BrakingTech			



BTW30005			
Description :	No	BT No	Information
Caliper Mechanism Body	1	BTT183 x 1	Bridge
	2	BTY21 x 2	Spring
Application : DAF,DENNIS,SAF,GIGANT,SAE,SMB			
OEM No : BrakingTech			



BTW30006			
Description :	No	BT No	Information
Caliper Mechanism Bridge	1	BTT184 x 1	Bridge
Application : Mercedes BENZ,DAF,R.V.I.,IVECO,MAN,OPTARE			
OEM No : BrakingTech			



BTW30007			
Description :	No	BT No	Information
Caliper Mechanism Bridge	1	BTT184 x 1	Bridge
	2	BTY21 x 2	Spring
Application : Mercedes BENZ,DAF,R.V.I.,IVECO,MAN,OPTARE			
OEM No : BrakingTech			



BTW30008

Description :
 Caliper Adjusting Mechanism

Application :
 DAF,DENNIS,SAF,GIGANT,SAE,SMB

OEM No :
 BrakingTech

No	BT No	Information
1	BTT194 x 1	Adjusting Mechanism



BTW30009

Description :
 Caliper Adjusting Mechanism

Application :
 Mercedes BENZ,DAF,R.V.I.,IVECO,MAN,OPTARE

OEM No :
 BrakingTech

No	BT No	Information
1	BTT196 x 1	Adjusting Mechanism



BTW30010

Description :
 Caliper Adjusting Mechanism(Slotted)

Application :
 M-BENZ MICROBUS 712C 914C L0914

OEM No :
 BrakingTech

No	BT No	Information
1	BTT197 x 1	Adjusting Mechanism



BTW30011

Description :
 Caliper Calibration Bolt

Application :
 DAF,DENNIS,SAF,GIGANT,SAE,SMB,VOLVO
 VM17,VM23

OEM No :
 BrakingTech

No	BT No	Information
1	BTT188 x 1	Calibration Bolt



BTW30012

Description :
 Caliper Calibration Bolt

Application :
 Mercedes BENZ, DAF, R.V.I., IVECO, MAN, OPTARE

OEM No :
 BrakingTech

No	BT No	Information
1	BTT190 x 1	Calibration Bolt



BTW30013

Description :
 Caliper Calibration Bolt (Slotted)

Application :
 M-BENZ MICROBUS 712C 914C L0914

OEM No :
 BrakingTech

No	BT No	Information
1	BTT192 x 1	Calibration Bolt



BTW30014

Description :
 Caliper Lever

Application :
 Mercedes BENZ, DAF, R.V.I., IVECO, MAN, OPTARE

OEM No :
 BrakingTech

No	BT No	Information
1	BTT193 x 1	Lever



BTW30015

Description :
 Caliper Lever

Application :
 Mercedes BENZ, DAF, R.V.I., IVECO, MAN, OPTARE

OEM No :
 CWSK.12.3

No	BT No	Information
1	BTT193 x 1	Lever
2	BTY21 x 2	Spring



BTW30016

Description :
Caliper Roller Bearing

Application :
Wabco Calipers

OEM No :
CWSK.12

No	BT No	Information
1	BTRI3 x 2	Roller Bearing



BTW30017

Description :
Caliper Mechanism Repair Kit

Application :
Mercedes BENZ, DAF, R.V.I., IVECO, MAN, OPTARE

OEM No :
BrakingTech

No	BT No	Information
1	BTSK3 x 1	Snap Ring Ø22,5x24mm
2	BTT189 x 1	Washer
3	BTY23 x 1	Spring Ø22,30x22,15mm
4	BTS53 x 1	Washer Ø49,4xØ35,5mm
5	BTS54 x 1	Washer Ø41,4xØ14,25 mm
6	BTS55 x 1	Washer Ø45xØ32 mm



BTW30018

Description :
Caliper Repair Kit

Application :
1000 VG, MAN L 2000, NEOPLAN METROLINER

OEM No :
12999729VT, 81508006023, 082139200,
11015566, 1517354

No	BT No	Information
1	BTT35 x 2	Guide Pin Ø 24,6 / 81 mm
2	BTT36 x 2	Guide Pin Ø25x81mm
3	BTC47 x 4	Screw M12X1,5X90mm
4	BTK65 x 2	Boot
5	BTB19 x 8	Bush Ø 25 x 28 / 15 mm
6	BTK64 x 4	Boot
7	BTK63 x 2	O-Ring
8	BTK62 x 2	Seal
9	BTK61 x 2	Dust Cover
10	BTS56 x 4	Metal Tap Ø 28 / 16 mm
11	BTC48 x 2	Screw M6X1X20mm
12	BTY24 x 2	Spring



BTW30018-01

Description :
Caliper Dust Rubber Set

Application :
1000 VG

OEM No :
SerinFren

No	BT No	Information
1	BTK65 x 1	Center Boot
2	BTK64 x 2	Pin Boot



BTW30019

Description :

Caliper Guides&Boots Repair Kit

Application :

DAF,SCANIA,KÖGEL,KRONE,SAF,SCHMITZ,DENNIS

OEM No :

12999738VT, 12999738, 3434382700, 79787365, Liebherr 10326485, Schmitz 1020777, Schwarzmüller 46780, 3.434.3827.01, 0881048, 6500510, 1505890, 3434382701, 550003851, 03434382701, 1723418, 1748132, 2093080, 1062907

No	BT No	Information
1	BTT37 x1	Guide Pin Ø38x118mm
2	BTC40 x1	Screw M16x1.5x120mm
3	BTT38 x1	Guide Pin Ø38x76mm
4	BTC1 x1	Screw M16x1.5x80mm
5	BTS57 x 4	Metal Ring
6	BTK69 x1	Rubber Tap
7	BTS58 x1	Metal Tap Ø 42 / 17 mm
8	BTS59 x1	Metal Tap Ø 42 / 28 mm
9	BTK66 x 2	Boot
10	BTK67 x1	Boot
11	BTK70 x 2	Boot(white)
12	BTB20 x 3	Bush Ø 38 x 42 / 30 mm



BTW30020

Description :

Caliper Boot & Pin Repair Kit

Application :

VOLVO VM17,VM23,DAF LF,Renault Midlum,SMB,VALX

OEM No :

12999776, 34344382800, 1068119, 6500700, 501866626, 85108166, 1628065, 12999776VT, 640 225 921 2, S-32676-4, 12.999.776, 2169210, 6597422, 85105655, 21457165, 5001866626, 503512819, 411209X625, 3434382800, 2093081, 51239, SCB1068119, 50340001, WA12999776, 1104514, 2198529, 2396937

No	BT No	Information
1	BTT37 x1	Guide Pin Ø38x118mm
2	BTC40 x1	Screw M16x1.5x120mm
3	BTT38 x1	Guide Pin Ø38x76mm
4	BTC1 x1	Screw M16x1.5x80mm
5	BTS57 x 2	Metal Ring
6	BTK69 x1	Head Seal
7	BTS58 x1	Metal Tap Ø 42 / 17 mm
8	BTS59 x1	Metal Tap Ø 42 / 28 mm
9	BTK66 x 2	Pin Boot
10	BTK67 x1	Mechanism Boot
11	BTB20 x 3	Pin Bush Ø 38 x 42 / 30 ...



BTW30021

Description :

Caliper Guides&Seal Repair Kit

Application :

KÖGEL,KRONE,SAF,SCHMITZ,DENNIS,GIGANT

OEM No :

BrakingTech

No	BT No	Information
1	BTT37 x1	Guide Pin Ø38x118mm
2	BTC40 x1	Screw M16x1.5x120mm
3	BTT38 x1	Guide Pin Ø38x76mm
4	BTC1 x1	Screw M16x1.5x80mm
5	BTS57 x 2	Metal Ring
6	BTK69 x1	Rubber Tap
7	BTS58 x1	Metal Tap Ø 42 / 17 mm
8	BTS59 x 3	Metal Tap Ø 42 / 28 mm
9	BTK70 x 2	Boot (White)
10	BTK67 x1	Boot
11	BTB20 x1	Bush Ø 38 x 42 / 30 mm



BTW30022

Description :

Caliper Boot & Pin Repair Kit

Application :

RVI Midlum 14T,DAF LF55

OEM No :

12999746, 1440505, 12 999 746VT, 5001858722

No	BT No	Information
1	BTT37 x1	Guide Pin Ø38x118mm
2	BTC40 x1	Screw M16x1.5x120mm
3	BTT38 x1	Guide Pin Ø38x76mm
4	BTC1 x1	Screw M16x1.5x80mm
5	BTS57 x 2	Metal Ring
6	BTK70 x 2	Boot (white)
7	BTT195 x 2	Tappet and Boot
8	BTSK4 x 2	Snap Ring
9	BTK69 x 2	Rubber Tap
10	BTS58 x1	Metal Tap Ø 42 / 17 mm
11	BTS59 x1	Metal Tap Ø 42 / 28 mm
12	BTB20 x 3	Bush Ø 38 x 42 / 30 mm



BTW30023

Description :
 Caliper Boot & Tappet Repair Kit

Application :
 RVI Midlum 14T, DAF LF55

OEM No :
 12999677VT, 5021170487, 0865965, 865965

No	BT No	Information
1	BTC40 x 1	Screw M16x1.5x120mm
2	BTC1 x 1	Screw M16x1.5x80mm
3	BTS57 x 2	Metal Ring
4	BTK70 x 2	Boot (White)
5	BTT195 x 1	Tapped and Boot
6	BTSK4 x 2	Snap Ring
7	BTK69 x 2	Rubber Tap
8	BTS58 x 1	Metal Tap Ø 42 / 17 mm
9	BTS59 x 1	Metal Tap Ø 42 / 28 mm



BTW30024

Description :
 Caliper Tappet & Boot Set

Application :
 RVI Midlum 14T, DAF LF55

OEM No :
 BrakingTech

No	BT No	Information
1	BTT195 x 2	Tappet and Boot
2	BTSK4 x 2	Snap Ring
3	BTK70 x 2	Boot (white)
4	BTS57 x 2	Metal Ring



BTW30025

Description :
 Caliper Tappet Repair Kit

Application :
 RVI Midlum 14T, DAF LF55

OEM No :
 BrakingTech

No	BT No	Information
1	BTT195 x 2	Tappet and Boot
2	BTSK4 x 2	Snap Ring



BTW30026

Description :
 Caliper Boot Repair Kit

Application :
 VOLVO VM17, VM23, DAF LF, Renault
 Midlum, SMB, VALX

OEM No :
 BrakingTech

No	BT No	Information
1	BTK66 x 2	Boot
2	BTK67 x 1	Boot
3	BTS57 x 2	Metal Ring



BTW30027

Description :
 Caliper Boot Kit

Application :
 KÖGEL, KRONE, SAF, SCHMITZ, DENNIS, GIGANT

OEM No :
 BrakingTech

No	BT No	Information
1	BTK70 x 2	Boot (white)
2	BTK67 x 1	Boot
3	BTS57 x 2	Metal Ring



BTW30028

Description :
 Caliper Repair Kit

Application :
 DAF, SCANIA, KÖGEL, KRONE, SAF, SCHMITZ, DENNIS

OEM No :
 BrakingTech

No	BT No	Information
1	BTT37 x 1	Guide Pin Ø38x118mm
2	BTC40 x 1	Screw M16x1.5x120mm
3	BTT38 x 1	Guide Pin Ø38x76mm
4	BTC1 x 1	Screw M16x1.5x80mm
5	BTB20 x 3	Bush Ø 38 x 42 / 30 mm



BTW30029

Description :
 Caliper Guides & Screws Repair Kit

Application :
 DAF, SCANIA, KÖGEL, KRONE, SAF, SCHMITZ, DENNIS

OEM No :
 CWSK.19.2

No	BT No	Information
1	BTT37 x 1	Guide Pin Ø38x118mm
2	BTC40 x 1	Screw M16x1.5x120mm
3	BTT38 x 1	Guide Pin Ø38x76mm
4	BTC1 x 1	Screw M16x1.5x80mm
5	BTC41 x 8	Screw M10x1x40mm



BTW30030

Description :
 Caliper Repair Kit Full Set

Application :
 Mercedes BENZ, DAF, R.V.I., IVECO, MAN, OPTARE

OEM No :
 SerinFren

No	BT No	Information
1	BTT39 x 1	Guide Pin Ø30X91mm
2	BTC21 x 1	Screw M16x1.5x87mm
3	BTT40 x 1	Guide Pin Ø30X77mm
4	BTC2 x 1	Screw M16X1.5X70mm
5	BTCN3 x 1	Gasket
6	BTK67 x 1	Boot
7	BTK72 x 2	Boot
8	BTK69 x 1	Rubber Tap
9	BTS60 x 2	Metal Tap Ø 34 / 17 mm
10	BTK68 x 1	Seal 7x32x13,70
11	BTB21 x 3	Bush 34 x 30 x 20 mm
12	BTC41 x 8	Screw M10x1x40mm



BTW30031

Description :
 Caliper Boot & Pin Repair Kit

Application :
 OTOKAR,VOLVO,MAN,OPTARE,ISUZU,OTOKAR,MIC
 712C,DAF45,R.V.I.Midlum,IVECO
 Eurocargo,Europolis

OEM No :
 12999699VT, 12999702, 1436853, 42536957,
 2169209 , 13C3508276AA, 1439494

No	BT No	Information
1	BTT39 x1	Guide Pin Ø30X91mm
2	BTC21 x1	Screw M16x1.5x87mm
3	BTT40 x1	Guide Pin Ø30X77mm
4	BTC2 x1	Screw M16X1.5X70mm
5	BTK67 x1	Boot
6	BTK72 x2	Boot
7	BTB21 x3	Bush 34 x 30 x 20 mm
8	BTS60 x2	Metal Tap Ø 34 / 17 mm
9	BTK69 x1	Rubber Tap



BTW30031-01

Description :
 Caliper Boot&Pin Repair Kit

Application :
 MAXX17,Renault Midlum,Volvo FLII-FLII,MB

OEM No :
 640 317 928 2, 6403179282, 405 420 0050,
 4054200050, A4054200050

No	BT No	Information
1	BTT459 x1	Guide Pin Ø 30 / 91 mm
2	BTC1-01 x1	Bolt M16 x 1.5 / 80 mm
3	BTT460 x1	Guide Pin Ø 30 / 77 mm
4	BTC1-01 x1	Bolt M16 x 1.5 / 80 mm
5	BTK67 x1	Boot
6	BTK72 x2	Pin Boot
7	BTB21 x3	Bushing Ø 30 x 34 / 20 m ...
8	BTS60 x2	Metal Cap Ø 34 / 17 mm
9	BTK69 x1	Rubber Tap



BTW30031-02

Description :
 Caliper Boot& Pin Repair Kit

Application :
 MAXX 17 CWS

OEM No :
 BrakingTech

No	BT No	Information
1	BTT459 x1	Guide Pin Ø 30 / 91 mm
2	BTC1-01 x1	Bolt M16 x 1.5 / 80 mm
3	BTT460 x1	Guide Pin Ø 30 / 77 mm
4	BTC1-01 x1	Bolt M16 x 1.5 / 80 mm
5	BTK67 x1	Boot
6	BTB21 x3	Bushing Ø 30 x 34 / 20 m ...
7	BTK72 x2	Pin Boot
8	BTS60 x2	Metal Cap Ø 34 / 17 mm
9	BTK190 x1	Rubber Tap



BTW30031-03

Description :
 Caliper Boot & Pin Repair Kit

Application :
 M-BENZ MICROBUS 712C 914C L0914,LO 915

OEM No :
 640 175 922 2, 002 420 3183, 6401759222,
 0024203183, A0024203183

No	BT No	Information
1	BTT39 x1	Guide Pin Ø30X91mm
2	BTC21-01 x1	Spanner Head Screw M16x 1 ...
3	BTT40 x1	Guide Pin Ø30X77mm
4	BTC2 x1	Screw M16x 1.5x 70mm
5	BTK67 x1	Boot
6	BTK72 x1	Boot
7	BTB21 x3	Bush 34 x 30 x 20 mm
8	BTS60 x1	Metal Tap Ø 34 / 17 mm
9	BTS105 x1	Steel Cap Ø 34/ 38 mm
10	BTK140 x1	Seal 7,60x29,40x6,30
11	BTK68 x1	Seal 7x32x13,70



BTW30032

Description :
Caliper Repair Kit

Application :
M-BENZ MICROBUS, MACK, RVI, DAF

OEM No :
12999704VT, 5001852880, 1519363, 12 999 704VT, 261112999704VT, 7421454873

No	BT No	Information
1	BTK72 x 2	Boot
2	BTC21 x 1	Screw M16x1.5x87mm
3	BTB21 x 3	Bush 34 x 30 x 20 mm
4	BTK69 x 1	Rubber Tap
5	BTK67 x 1	Boot
6	BTC2 x 1	Screw M16X1.5X70mm
7	BTS60 x 2	Metal Tap Ø 34 / 17 mm



BTW30032-01

Description :
Caliper Boot & Pin Bolt Repair Kit

Application :
MAXX17, RVI Midlum, Volvo FLII-FLII

OEM No :
640 317 922 2, 6403179222, 7421 748 963, 7421748963, 21748964

No	BT No	Information
1	BTK72 x 2	Pin Boot
2	BTC1-01 x 2	Bolt M16 x 1.5 / 80 mm
3	BTB21 x 3	Bushing Ø 30 x 34 / 20 m ...
4	BTK69 x 1	Rubber Tap
5	BTK67 x 1	Boot
6	BTS60 x 2	Metal Cap Ø 34 / 17 mm



BTW30033

Description :
Caliper Repair Kit

Application :
DAF, MAN, OTOKAR, Mercedes BENZ, R.V.I., IVECO, OPTARE

OEM No :
12999580VT, 81.50822.6003, 1517407, 81508226003

No	BT No	Information
1	BTK72 x 2	Boot
2	BTK67 x 1	Boot
3	BTB21 x 3	Bush 34 x 30 x 20 mm
4	BTS60 x 2	Metal Tap Ø 34 / 17 mm
5	BTC41 x 8	Screw M10x1x40mm
6	BTC21 x 1	Screw M16x1.5x87mm
7	BTC2 x 1	Screw M16X1.5X70mm
8	BTK68 x 1	Seal
9	BTK69 x 1	Rubber Tap
10	BTCN3 x 1	Gasket



BTW30034

Description :
Caliper Boots and Seals

Application :
DAF, MAN, OTOKAR, Mercedes BENZ, R.V.I., IVECO, OPTARE

OEM No :
CWSK.17.1

No	BT No	Information
1	BTK72 x 2	Boot
2	BTK67 x 1	Boot
3	BTB21 x 3	Bush 34 x 30 x 20 mm
4	BTS60 x 2	Metal Tap Ø 34 / 17 mm



BTW30035

Description :
 Caliper Boot Kit

Application :
 DAF,MAN,OTOKAR,R.V.I.,IVECO,OPTARE,MB
 L0914,LO 915

OEM No :
 BrakingTech

No	BT No	Information
1	BTK72 x 2	Boot
2	BTK67 x 1	Boot



BTW30036

Description :
 Caliper Guides&Screws

Application :
 DAF,MAN,OTOKAR,Mercedes
 BENZ,R.V.I.,IVECO,OPTARE

OEM No :
 CWSK.17.2

No	BT No	Information
1	BTT39 x 1	Guide Pin Ø30X91mm
2	BTC21 x 1	Screw M16x1.5x87mm
3	BTT40 x 1	Guide Pin Ø30X77mm
4	BTC2 x 1	Screw M16X1.5X70mm
5	BTC41 x 8	Screw M10x1x40mm



BTW30037

Description :
 Caliper Repair Kit

Application :
 DAF,MAN,OTOKAR,Mercedes
 BENZ,R.V.I.,IVECO,OPTARE

OEM No :
 BrakingTech

No	BT No	Information
1	BTT39 x 1	Guide Pin Ø30X91mm
2	BTC21 x 1	Screw M16x1.5x87mm
3	BTT40 x 1	Guide Pin Ø30X77mm
4	BTC2 x 1	Screw M16X1.5X70mm
5	BTB21 x 3	Bush 34 x 30 x 20 mm



BTW30038

Description :
 Caliper Gasket Kit

Application :
 DAF,MAN,OTOKAR,ISUZU,MB,R.V.I.,IVECO,OPTARE

OEM No :
 BrakingTech

No	BT No	Information
1	BTCN3 x 1	Gasket
2	BTK68 x 1	Seal 7x32x13,70
3	BTK69 x 1	Rubber Tap
4	BTC41 x 8	Screw M10x1x40mm



BTW30039

Description :
 Caliper Gasket&Seals Kit

Application :
 DAF,MAN,OTOKAR,ISUZU,MB,R.V.I.,IVECO,OPTARE

OEM No :
 BrakingTech

No	BT No	Information
1	BTCN3 x1	Gasket
2	BTK68 x1	Seal 7x32x13,70
3	BTK69 x1	Rubber Tap



BTW30040

Description :
 Caliper Up Cover Gasket

Application :
 MAN L2000,OPTARE,BMC,Isuzu,OTOKAR,MB
 MICROBUS 712C,DAF 45 LF,R.V.I.Midlum,IVECO
 Eurocargo110E,120E

OEM No :
 BrakingTech

No	BT No	Information
1	BTCN3 x1	Gasket(metal)



BTW30041

Description :
 Caliper Seals Repair Kit

Application :
 SCHWARZMÜLLER,VALX,HENDRICKSON,KÖGEL,K

OEM No :
 6401759202, 3434382900, 0906197,
 13C3508278AB, 640 175 920 2, SCANIA 1872780,
 2198528, 2396938, SCHMITZ 1068160, 1104515,
 SAF 3 434 3829 00, S-32676-3, 10326501,
 A4054210080, 2093084, 67492, SCB1068160,
 50360001, 6353149, 550003852, 03434382900,
 1062929

No	BT No	Information
1	BTK67 x1	Boot
2	BTK69 x1	Rubber Tap
3	BTK68 x1	Seal



BTW30041-01

Description :
 Caliper Seals Repair Kit

Application :
 MAXX Series Calipers

OEM No :
 BrakingTech

No	BT No	Information
1	BTK67 x1	Boot
2	BTT432 x1	Seal
3	BTK190 x1	Rubber Tap



BTW30042

Description :
 Caliper Push Plate Slotted (Right)

Application :
 SCHMITZ Trailer,HENDRICKSON Trailer

OEM No :
 S-35303-9, 1146640 , 640 225 926 2

No	BT No	Information
1	BTT198 x1	Push Plate Slotted



BTW30043

Description :
 Caliper Push Plate Slotted (Left)

Application :
 SCHMITZ Trailer,HENDRICKSON Trailer

OEM No :
 S-35303-9, 640 225 926 2, 1146640

No	BT No	Information
1	BTT199 x1	Push Plate Slotted



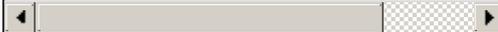
BTW30044

Description :
 Caliper Push Plate Slotted (Right)

Application :
 KÖGEL,KRONE,SAF,SCHMITZ,DENNIS,GIGANT,HEN

OEM No :
 640 225 926 2

No	BT No	Information
1	BTT200 x1	Push Plate Slotted



BTW30045

Description :
 Caliper Push Plate Slotted (Left)

Application :
 KÖGEL,KRONE,SAF,SCHMITZ,DENNIS,GIGANT,HEN

OEM No :
 640 225 926 2

No	BT No	Information
1	BTT201 x1	Push Plate Slotted





BTW30046

Description :

Caliper Push Plate Slotted (Right)

No	BT No	Information
1	BTT202 x1	Push Plate Slotted

Application : :

DAF,RVI,IVECO,VOLVO

OEM No :

CWSK.17.5



BTW30047

Description :

Caliper Push Plate Slotted (Left)

No	BT No	Information
1	BTT203 x1	Push Plate Slotted

Application : :

DAF,RVI,IVECO,VOLVO

OEM No :

4124303501



BTW30048

Description :

Caliper Push Plate with Pin (Right)

No	BT No	Information
1	BTT204 x1	Push Plate With Pin

Application : :

M-BENZ MICROBUS 712C 914C L0914

OEM No :

BrakingTech



BTW30049

Description :

Caliper Push Plate with Pin (Left)

No	BT No	Information
1	BTT205 x1	Push Plate With Pin (Left ...

Application : :

M-BENZ MICROBUS 712C 914C L0914

OEM No :

BrakingTech



BTW30050

Description :
 Caliper Lever (Complete)

Application :
 RVI Midlum 14T, DAF LF55

OEM No :
 BrakingTech

No	BT No	Information
1	BTT278 x1	Lever



BTW30051

Description :
 Caliper Lever (Empty)

Application :
 RVI Midlum 14T, DAF LF55

OEM No :
 BrakingTech

No	BT No	Information
1	BTT278-01 x1	Lever



BTW30052

Description :
 Caliper Lever Repair Kit

Application :
 RVI Midlum 14T, DAF LF55

OEM No :
 40 225 004, 40 225 003

No	BT No	Information
1	BTT233 x1	Lever Pin
2	BTT232 x2	Adjusting Gear
3	BTT231 x1	Mechanism
4	BTSK7 x1	Snap Ring
5	BTSK8 x2	Snap Ring
6	BTSI01 x1	Washer
7	BTSI02 x1	Washer
8	BTR25 x1	Roller Bearing
9	BTY27 x1	Spring



BTW30053

Description :
 Caliper Bridge

Application :
 RVI Midlum 14T, DAF LF55

OEM No :
 BrakingTech

No	BT No	Information
1	BTT206 x1	Bridge
2	BTY25 x2	Spring



BTW30054

Description :
Caliper Bridge Assembly

Application : :
RVI Midlum 14T, DAF LF55

OEM No :
40 225 004, 40 225 003

No	BT No	Information
1	BTT206 x 1	Bridge
2	BTT207 x 1	Calibration Bolt (Right) ...
3	BTT208 x 1	Calibration Bolt (Left)
4	BTY25 x 2	Spring
5	BTT209 x 2	Locking Shim



BTW30055

Description :
Caliper Calibration Bolt Kit (Right)

Application : :
RVI Midlum 14T, DAF LF55

OEM No :
BrakingTech

No	BT No	Information
1	BTT207 x 1	Calibration Bolt (Right) ...
2	BTT209 x 1	Locking Shim
3	BTSK9 x 1	Snap Ring



BTW30056

Description :
Caliper Calibration Bolt Kit (Left)

Application : :
RVI Midlum 14T, DAF LF55

OEM No :
BrakingTech

No	BT No	Information
1	BTT208 x 1	Calibration Bolt (Left)
2	BTT209 x 1	Locking Shim
3	BTSK9 x 1	Snap Ring



BTW30057

Description :
Caliper Calibration Bolt (Left)

Application : :
RVI Midlum 14T, DAF LF55

OEM No :
SerinFren

No	BT No	Information
1	BTT208 x 1	Calibration Bolt (Left)



BTW30058

Description :
 Caliper Calibration Bolt (Right)

No	BT No	Information
1	BTT207 x 1	Calibration Bolt (Right)

Application :
 RVI Midlum 14T, DAF LF55

OEM No :
 SerinFren



BTW30059

Description :
 Caliper Roller Bearing

No	BT No	Information
1	BTR24 x 2	Roller Bearing

Application :
 RVI Midlum 14T, DAF LF55

OEM No :
 BrakingTech



BTW30060

Description :
 Caliper Roller Bearing

No	BT No	Information
1	BTR26 x 2	Roller Bearing

Application :
 RVI Midlum 14T, DAF LF55

OEM No :
 BrakingTech



BTW30061

Description :
 Caliper Complete Mechanism Set

No	BT No	Information
1	BTT246 x 1	Complete Mech.
2	BTT223 x 1	Calibration Bolt
3	BTY28 x 2	Spring

Application :
 MAN TGX, TGS

OEM No :
 BrakingTech



BTW30061-01

Description :
 Caliper Complete Mechanism Set(NEW)

Application :
 Mercedes Arocs,MAN TGS,Freightliner

OEM No :
 SerinFren

No	BT No	Information
1	BTT246-01 x1	Complete Mechanism
2	BTT223-01 x1	Calibration Bolt
3	BTY28 x 2	Spring



BTW30062

Description :
 Caliper Lever Maxx MAN Type

Application :
 MAN TGS,TGX

OEM No :
 BrakingTech

No	BT No	Information
1	BTT227 x 1	Lever
2	BTS68 x 2	Lever Bearing



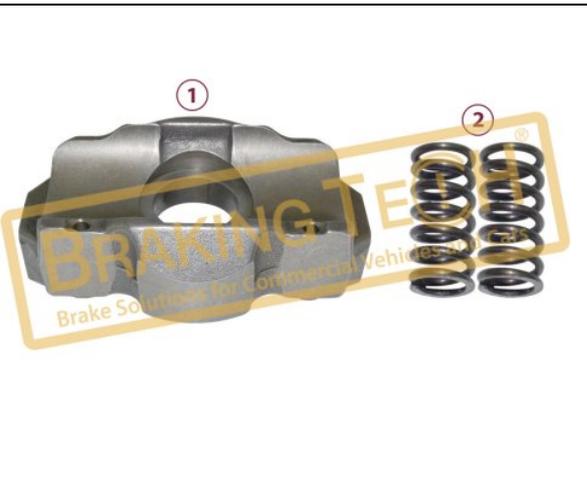
BTW30062-01

Description :
 Caliper Lever Maxx MB Type

Application :
 MERCEDES AROCS Rear,Front

OEM No :
 BrakingTech

No	BT No	Information
1	BTT227-01 x 1	Lever
2	BTS68 x 2	Lever Bearing



BTW30063

Description :
 Caliper Mechanism Body

Application :
 MAXX22,MAN TGX

OEM No :
 SerinFren

No	BT No	Information
1	BTT230 x1	Bridge
2	BTY28 x 2	Spring



BTW30063-01

Description :
 Caliper Mechanism Support

Application :
 MAXX22,MAXX22L,MAXXUS,MAN TGS

OEM No :
 BrakingTech only

No	BT No	Information
1	BTT230-01 x1	Bridge
2	BTY28 x 2	Spring



BTW30064

Description :
 Caliper Calibration Bolt MAXX

Application :
 MERCEDES Arocs,MAN TGX,TGS

OEM No :
 BrakingTech

No	BT No	Information
1	BTT223 x 1	Calibration Bolt



BTW30065

Description :
 Caliper Adjusting Mechanism

Application :
 MAN TGX,TGS

OEM No :
 BrakingTech

No	BT No	Information
1	BTT273 x 1	Adjusting Mechanism



BTW30065-01

Description :
 Caliper Adjusting Mechanism

Application :
 MAXXUS,Freightliner

OEM No :
 BrakingTech

No	BT No	Information
1	BTT273-01 x1	Mechanism



BTW30066

Description :
Caliper Guide Pins Repair Kit

Application : :
MAN TGX,TGS,MB ACTROS

OEM No :
6403229262, 81508226038, 640 322 926 2, 2169208

No	BT No	Information
1	BTT37 x1	Guide Pin Ø38x118mm
2	BTC40 x1	Screw M16x1.5x120mm
3	BTT38 x1	Guide Pin Ø38x76mm
4	BTC1 x1	Screw M16x1.5x80mm
5	BTB20 x3	Bush Ø 38 x 42 / 30 mm
6	BTS58 x2	Metal Tap Ø 42 / 17 mm
7	BTK66 x2	Boot
8	BTS57 x2	Metal Ring Ø44,5 x1,25m ...
9	BTK67 x1	Boot
10	BTK69 x1	Rubber Tap



BTW30067

Description :
Caliper Roller Bearing

Application : :
RENAULT,VOLVO,SCHMITZ,HENDRICKSON

OEM No :
BrakingTech

No	BT No	Information
1	BTR23 x 4	Roller Bearing



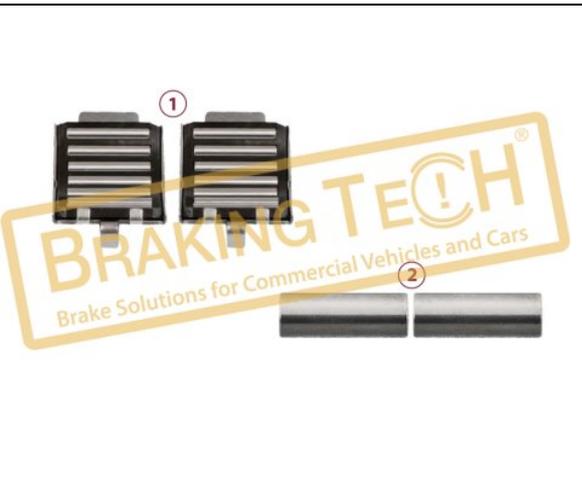
BTW30068

Description :
Caliper Roller Bearing Set

Application : :
MAN TGS,TGX,MERCEDES AROCS,SCHMITZ Trailer,VOLVO FL,RENAULT MIDLUM

OEM No :
BrakingTech

No	BT No	Information
1	BTR23 x 2	Roller Bearing
2	BTS68 x 2	Lever Bearing
3	BTT238 x 2	Pin



BTW30068-01

Description :
Caliper Roller Bearing Set

Application : :
MAN,RVI,VOLVO,SCHMITZ,MERCEDES

OEM No :
BrakingTech

No	BT No	Information
1	BTR23 x 2	Roller Bearing
2	BTT238 x 2	Pin



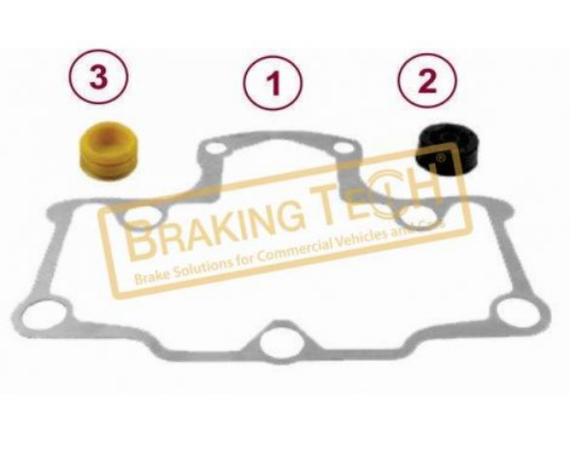
BTW30069

Description :
Caliper Mechanism Cap MAXX

Application :
MAN TGX,TGS

OEM No :
SerinFren

No	BT No	Information
1	BTS67 x 5	Metal Cap
2	BTK83 x 5	Seal



BTW30070

Description :
Caliper Cover Gasket Kit

Application :
RVI Midlum 14T,DAF LF55

OEM No :
BrakingTech

No	BT No	Information
1	BTCN10 x 1	Cover Metal Gasket
2	BTK68 x 1	Head Cap Seal
3	BTK69 x 1	Rubber Tap



BTW30070-01

Description :
Caliper Head Gasket Set

Application :
RVI Midlum 14T,DAF LF55

OEM No :
BrakingTech

No	BT No	Information
1	BTCN10 x 1	Cover Gasket
2	BTK68 x 2	Seal
3	BTK69 x 2	Rubber Tap
4	BTC50 x 2	Bolt M10x1,5x45 mm
5	BTC26 x 5	Bolt M16x1,5x40 mm



BTW30071

Description :
Caliper Cover Gasket&Seal Kit

Application :
M-BENZ MICROBUS 712C 914C,LO 915,VOLVO VM17

OEM No :
CWSK.12.4

No	BT No	Information
1	BTCN3 x 1	Gasket
2	BTK69 x 1	Rubber Tap
3	BTK68 x 1	Seal 7x32x13,70
4	BTK140 x 1	Seal[green]



BTW30072

Description :
 Carrier Fixing Bolt (55mm)

Application :
 DAF,RVI,IVECO,VOLVO

OEM No :
 BrakingTech

No	BT No	Information
1	BTC92-01 x 1	Bolt M16x55x20x1,5mm



BTW30073

Description :
 Caliper Upper Cover

Application :
 DAF,RVI,IVECO,VOLVO

OEM No :
 BrakingTech

No	BT No	Information
1	BTT377 x 1	Up Cover



BTW30074

Description :
 Caliper Gear Set(L-R)

Application :
 RVI Midlum 14T,DAF LF55

OEM No :
 BrakingTech

No	BT No	Information
1	BTT381 x 1	Gear (Right)
2	BTT380 x 1	Gear (Left)



BTW30075

Description :
 Brake Expander Box Assy Perrot

Application :
 Wabco Type Drum Brake

OEM No :
 12739075VT, 65481213, 1505365, TBB065481213, 583306A000, 93163525, AA84J33850, FBU9121, N1011014929, 0065481213, D65481213, 080131910, 11014929, 1505369, 0801319100, 443992290, A0065481213



BTW30075-01

Description :
 Brake Expander Box Mechanism

Application :
 Wabco Type Drum Brake

OEM No :
 12739075VT, 65481213, 1505365, TBBD65481213, 583306A000, AA84J33850, 93163525, FBU9121, N1011014929, 0065481213, D65481213, 080131910, 11014929, 1505369, 0801319100, 443992290, A0065481213



BTW30076

Description :
 Caliper Manuel Adjuster Repair Kit(Return Unit)

Application :
 MB,MAN,FREIGHTLINER,DAEWOO

OEM No :
 6403229272, 81508226039, 640 322 927 2, MAN 81.50822.6039, P3093000490, WAB6403229272

No	BT No	Information
1	BTK190 x 1	Rubber Tap
2	BTT432 x 1	Seal
3	BTT383 x 1	Gear
4	BTT384 x 1	Adjuster Pin



BTW30077

Description :
 Caliper Sheet Metal Cover MAXX

Application :
 MAN TGX,TGS,MERCEDES,SCHMITZ,FREIGHTLINER

OEM No :
 640 322 650 4

No	BT No	Information
1	BTS108 x 1	Metal Cover(with gasket)
2	BTC9 x 6	Bolts M8*1,5/16 MM



BTW30078

Description :
 Caliper Lever Housing

Application :
 RVI Midlum 14T,DAF LF55

OEM No :
 BrakingTech

No	BT No	Information
1	BTT235 x 1	Housing



BTW30079

Description :
 Caliper Metal Cap Kit

Application :
 M-BENZ MICROBUS 712C 914C,LO 915,VOLVO VM17

OEM No :
 BrakingTech

No	BT No	Information
1	BTS105 x 5	Steel Cap Ø 34 / 38 mm



BTW30080

Description :
 Caliper Seal Kit

Application :
 M-BENZ MICROBUS 712C 914C,LO 915,VOLVO VM17,MAN

OEM No :
 SerinFren

No	BT No	Information
1	BTK140 x 5	Seal 7,60x29,40x6,30



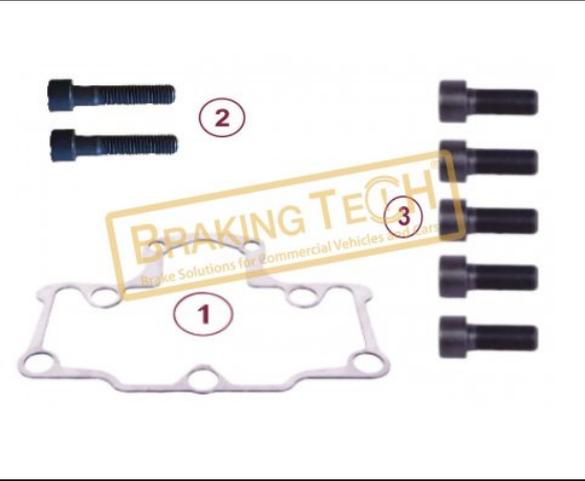
BTW30081

Description :
 Caliper Cover Gasket (Double Piston)

Application :
 RVI Midlum 14T,DAF LF55

OEM No :
 BrakingTech

No	BT No	Information
1	BTCN10 x 1	Cover Gasket(Metal)



BTW30082

Description :
 Caliper Gasket & Bolts Repair Kit

Application :
 RVI Midlum 14T,DAF LF55

OEM No :
 40 225 004, 40 225 003

No	BT No	Information
1	BTCN10 x 1	Gasket(Metal)
2	BTC50 x 2	Bolt M10x1,5x45mm
3	BTC26 x 5	Screw M16x1,5x40mm



BTW30083

Description :
 Caliper Repair Kit (Double Piston)

Application :
 RENAULT, DAF, FRUEHAUF, SMB

OEM No :
 12999678VT, 5021170 488, 865966, M100675,
 08565966, 12.999.677

No	BT No	Information
1	BTT295 x 1	Guide Pin(Long) Ø38 x 12 ...
2	BTC60 x 1	Bolt(Long) M16x1,5 x130 m ...
3	BTT296 x 1	Guide Pin(Short) Ø38 x 7 ...
4	BTC1 x 1	Bolt(Short) M16x1,5 x80 m ...
5	BTB20 x 3	Guide Pin Bush 42 x 38 x ...
6	BTK70 x 2	Guide Pin Gaiter(White)
7	BTS58 x 1	Steel Cap Ø42,5 x 17 mm
8	BTS57 x 2	Ring Ø44,5 x 1,25 mm
9	BTS99 x 1	Steel Cap Ø51,5 x 11,50 ...
10	BTK110 x 1	Outer Boot



BTW30084

Description :
 Caliper Lever Mechanism Repair Kit

Application :
 RVI Midlum 14T, DAF LF55

OEM No :
 BrakingTech

No	BT No	Information
1	BTK68 x 2	Mechanism Seal
2	BTY39 x 2	Spring
3	BTT379 x 2	Mechanism Pin
4	BTS106 x 4	Washer
5	BTT380 x 1	Adjuster Gear (Left)
6	BTT381 x 1	Adjuster Gear (Right)
7	BTSK19 x 2	Circlip



BTW30084-01

Description :
 Caliper Lever Mechanism Repair Kit

Application :
 RVI Midlum 14T, DAF LF55

OEM No :
 BrakingTech

No	BT No	Information
1	BTT379 x 2	Mechanism Pin
2	BTS106 x 4	Washer
3	BTSK19 x 2	Circlip



BTW30085

Description :
 Caliper Push Plate Slotted (Right)

Application :
 MB, MAN TGX, TGS, DAEWOO

OEM No :
 6403229312, 81.50822.6041, P3093000480

No	BT No	Information
1	BTT224 x 1	Push Plate Slotted (Right ...



BTW30086

Description :
 Caliper Push Plate Slotted (Left)

Application : :
 MB,MAN TGX,TGS,DAEWOO

OEM No :
 6403229312 , P3093000480, 81508226041

No	BT No	Information
1	BTT225 x1	Plate Slotted (Left)



BTW30087

Description :
 Caliper Dust Boots&Caps

Application : :
 M-BENZ MICROBUS 712C 914C,LO 915,VOLVO VM17

OEM No :
 8845035032, 884.503.503.2

No	BT No	Information
1	BTK72 x 2	Pin Boot
2	BTK67 x 1	Boot
3	BTS60 x 1	Metal Tap Ø 34 / 17 mm
4	BTS105 x 1	Metal Tap Ø 34,5 x 38,5m ...



BTW30088

Description :
 Caliper Mechanism Boot & Cap

Application : :
 MAXX22, MAXX22T, MAXXUS, MAN, SCHMITZ, DAEWOO

OEM No :
 6403229322, 81508226042, 640 322 932 2, P3093000470

No	BT No	Information
1	BTK69 x 1	Boot
2	BTK67 x 1	Rubber Cap



BTW30089

Description :
 Caliper Boots&Caps Repair Kit

Application : :
 DAF,RVI,IVECO,VOLVO

OEM No :
 CWSK.19.1

No	BT No	Information
1	BTK67 x 1	Adjuster Boot
2	BTK66 x 2	Pin Boot
3	BTS59 x 1	Metal Tap Ø 42 / 28 mm
4	BTS58 x 1	Metal Tap Ø 42 / 17 mm
5	BTB20 x 3	Bush Ø 38 x 42 / 30 mm



BTW30090

Description :
Caliper Service Set

Application :
DAF,MAN,OTOKAR,ISUZU,MB,R.V.I.,IVECO,OPTARE

OEM No :
BrakingTech

No	BT No	Information
1	BTT180 x 1	Adjusting Mechanism
2	BTT193 x 1	Lever
3	BTR13 x 2	Roller Bearing
4	BTY21 x 2	Spring
5	BTK67 x 1	Boot



BTW30091

Description :
Caliper Service Set

Application :
Mercedes BENZ,DAF,R.V.I.,IVECO,MAN,OPTARE

OEM No :
SerinFren

No	BT No	Information
1	BTT181 x 1	Adjusting Mechanism
2	BTT193 x 1	Lever
3	BTR13 x 2	Roller Bearing
4	BTY21 x 2	Spring
5	BTK67 x 1	Boot



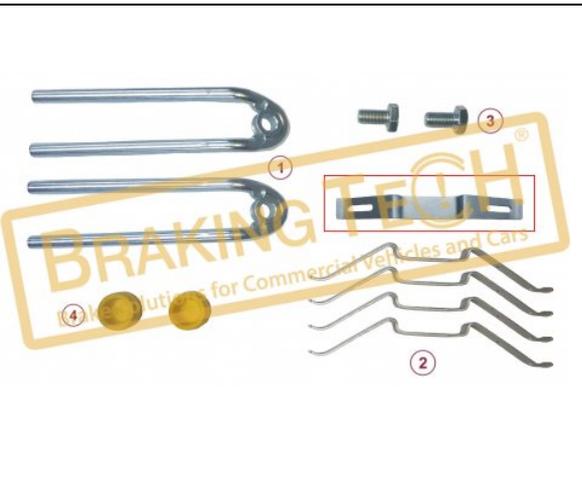
BTW30092

Description :
Caliper Service Set For Pan17,5
Calipers(Grooved-Type)

Application :
M-BENZ MICROBUS 712C 914C,LO 915,VOLVO VM17,MAN

OEM No :
BrakingTech

No	BT No	Information
1	BTT182 x 1	Adjusting Mechanism(Slott ...
2	BTY21 x 2	Spring
3	BTT193 x 1	Lever
4	BTR13 x 2	Roller Bearing



BTW30093

Description :
Caliper Brake Pad Retainer Set

Application :
DAF,MAN,OTOKAR,ISUZU,MB,R.V.I.,IVECO,OPTARE

OEM No :
969900275, 68323004

WVA :
29141, 29142, 29119

No	BT No	Information
1	BTS130-01 x 2	Pad Retainer 171mm(length ...
2	BTS131 x 4	Retainer Shield
3	BTC89 x 2	Screw M10x1,25/ 20mm
4	BTK69 x 2	Rubber Tap



BTW30094

Description :
 Caliper Brake Pad Retainer Kit

Application :
 DAF,MAN,OTOKAR,ISUZU,MB,R.V.I.,IVECO

WVA :
 29126, 29159

No	BT No	Information
1	BTS130-01 x 2	Pad Retainer 171mm(Length ...
2	BTS132 x 6	Retainer Shield
3	BTC89 x 2	Screw M10x 1.50x 20mm
4	BTK69 x 2	Rubber Tap



BTW30095

Description :
 Caliper Brake Pad Retainer Set

Application :
 DAF,SCANIA,SCHWARZMÜLLER

OEM No :
 S-32676-1

WVA :
 29162, 29168

No	BT No	Information
1	BTS130 x 2	Pad Retainer
2	BTS133 x 6	Retainer Shield
3	BTC89 x 2	Screw M10x1,50x20
4	BTK69 x 2	Rubber Tap



BTW30096

Description :
 Caliper Brake Pad Retainer Set

Application :
 MAN L2000,OPTARE

OEM No :
 12999782, 50100848607

WVA :
 29088

No	BT No	Information
1	BTS134 x 2	Pad Retainer
2	BTS135 x 6	Retainer Shield
3	BTC90 x 2	Screw M10x1,5
4	BTK69 x 2	Rubber Tap



BTW30097

Description :
 Brake Pad Retainer Kit MAXX

Application :
 MAN TGX TGS,HENDRICKSON,SCHMITZ

OEM No :
 81508206065, 640 222 927 2, S-35303-1

WVA :
 29279, 29223

No	BT No	Information
1	BTS136 x 2	Pad Retainer
2	BTS137 x 6	Retainer Shield
3	BTK69 x 2	Rubber Tap
4	BTC91 x 2	Screw M10x12mm



BTW30097-01

Description :
 Brake Pad Retainer Kit MAXXUS

Application :
 MB,NAVISTAR,FREIGHTLINER,DAEWOO,MAN,SCH

OEM No :
 640 322 934 2, 640 322 939 2

WVA :
 29191

No	BT No	Information
1	BTS136 x 2	Pad Retainer
2	BTS137 x 6	Retainer Shield
3	BTK190 x 2	Rubber Tap
4	BTC91 x 2	Screw M10x12 mm



BTW30098

Description :
 Caliper Mechanism Repair Kit

Application :
 MAXX Calipers

OEM No :
 BrakingTech

No	BT No	Information
1	BTS144 x 3	Washer Ø35,3 x Ø24,3mm
2	BTSK20 x 1	Circlip(Big)
3	BTSK21 x 1	Circlip(Small)
4	BTS145 x 1	Washer Ø46,75 x Ø34,5mm
5	BTS146 x 1	Washer Ø52,7 x Ø41mm



BTW30099

Description :
 Caliper Cover Seal Set

Application :
 MAN TGS,TGX

OEM No :
 897 290 261 2

No	BT No	Information
1	BTK193 x 5	Seal



BTW30100

Description :
 Caliper Sensor MAXX22 MAN Type

Application :
 MAN TGX,TGS, Daewoo MAXIMUS

OEM No :
 6403229282, 81508226040, 6403220040,
 6403220050, 6403220080, 44103900104811,
 P3093000500

No	BT No	Information
1	BTP55 x 1	Sensor



BTW30100-01

Description :
 Caliper Sensor MAXX22 MB Type

Application :
 MERCEDES AROCS,ACTROS

OEM No :
 A0035409217, 441 039 009 0, 6403229432

No	BT No	Information
1	BTP55-01 x1	Sensor



BTW30101

Description :
 Adjuster Mechanism Drum Brake

Application :
 AVIA,DAF,MAN,Neoplan,IVECO,BMC,FORD,OTOKAR

OEM No :
 FBU1065, 366330090, 12603176VT, 1518441, 070142002, 70142002, 81506106202, 81806106202, Z366330090, BTW30101, 5627717, 13228075



BTW30102

Description :
 Caliper Guides & Seals Repair Kit

Application :
 MB,1300V-G TYPE

OEM No :
 0004200982, 000 420 09 82, A000 420 09 82, A0004200982, AMPA137, AMPA 137, 1101 5717, 11015717

No	BT No	Information
1	BTT333 x 1	Guide Pin Ø35 x 110 mm
2	BTT332 x 1	Guide Pin Ø35 x 85 mm
3	BTC93 x 2	Bolt M16 x 1,5 x 110 mm
4	BTS58 x 2	Steel Cap Ø42 x 17 mm
5	BTB34 x 3	Teflon Bush Ø39 x Ø35 x ...
6	BTK119 x 2	Guide Pin Gaiter(rubber)



BTW30103

Description :
 Caliper Guide Pin Kit

Application :
 AROCS,DAEWOO,SCHMITZ,FREIGHTLINER,NAVISTAR

OEM No :
 640 222 928 2, 640 222 927 2, 640 332 634 2, P3093000460, 640 322 938 2, 6402229282, S-35303-4, 1199858, 6403229382, 640 322 951 2, 000 423 1063

No	BT No	Information
1	BTT387 x 1	Guide Pin Ø38x118mm
2	BTT388 x 1	Guide Pin Ø38x76mm
3	BTC1-01 x 2	Screw M16x1.5x80mm
4	BTB20 x 3	Bush Ø 38 x 42 / 30mm
5	BTS58 x 2	Metal Tap Ø 42 / 17 mm
6	BTK149 x 2	Boot
7	BTK69 x 1	Rubber Tap
8	BTK67 x 1	Boot



BTW30104

Description :
 Caliper Lever MAXX

Application :
 SCHMITZ,RVI MIDLUM,VOLVO F

OEM No :
 BrakingTech

No	BT No	Information
1	BTT397 x 1	Lever
2	BTS68 x 2	Lever Bearing



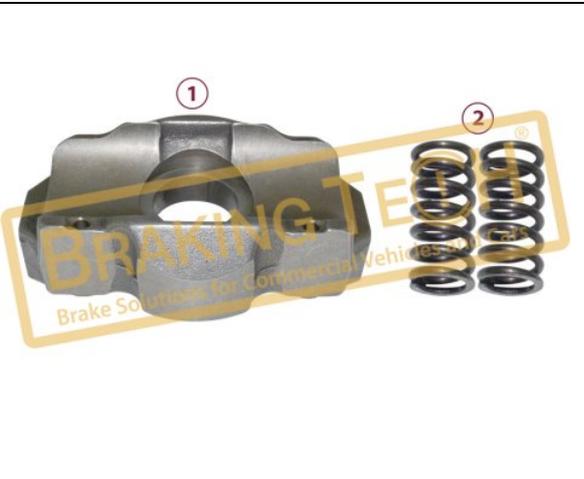
BTW30105

Description :
 Caliper Complete Mechanism

Application :
 SCHMITZ,FREIGHTLINER,HENDRICKSON

OEM No :
 SCB430W1, 1160667, BrakingTech

No	BT No	Information
1	BTT398 x 1	Mechanism Complete
2	BTY40 x 2	Spring



BTW30106

Description :
 Caliper Mechanism Body

Application :
 SCHMITZ,SCANIA,HENDRICKSON

OEM No :
 BrakingTech

No	BT No	Information
1	BTT396 x 1	Mechanism Body
2	BTY40 x 2	Spring



BTW30107

Description :
 Caliper Adjusting Mechanism

Application :
 SCANIA,HENDRICKSON,SCHMITZ

OEM No :
 BrakingTech, 1160667, SCB430W1

No	BT No	Information
1	BTT400 x 1	Adjusting Mechanism



BTW30108

Description :
 Caliper Calibration Bolt MAXX

Application :
 SCHMITZ,FREIGHTLINER,HENDRICKSON

OEM No :
 BrakingTech

No	BT No	Information
1	BTT399 x 1	Calibration Bolt



BTW30108-01

Description :
 Caliper Calibration Bolt

Application :
 MAXX17 (CWS Type)

OEM No :
 BrakingTech

No	BT No	Information
1	BTT464 x 1	Calibration Bolt



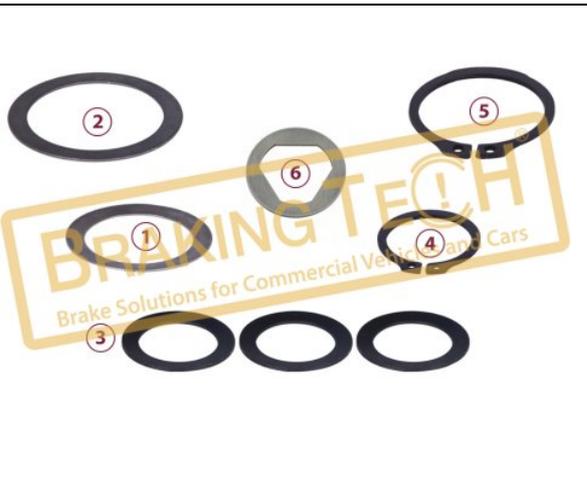
BTW30109

Description :
 Caliper Metal Cover MAXX

Application :
 SCHMITZ,FREIGHTLINER,HENDRICKSON

OEM No :
 BrakingTech

No	BT No	Information
1	BTS163 x 1	Cover (with gasket)
2	BTC9 x 6	Bolt M8x16mm



BTW30110

Description :
 Caliper Mechanism Washer&Circlip Repair Kit

Application :
 MAXX 22T TYPE (SCHMITZ SCB430W)

OEM No :
 BrakingTech

No	BT No	Information
1	BTS138 x 1	Washer Ø46,75 x Ø34,5 m ...
2	BTS139 x 1	Washer Ø52,7 x Ø41 mm
3	BTS140 x 3	Washer Ø35,3 x Ø24,3 mm
4	BTSK17 x 1	Circlip
5	BTSK18 x 1	Circlip
6	BTT355 x 1	Locker



BTW30111

Description :
 Caliper Spline Shaft Set R/H

Application :
 1600-1300 V-G

OEM No :
 BrakingTech



BTW30112

Description :
 Caliper Spline Shaft Set L/H

Application :
 1600-1300 V-G

OEM No :
 BrakingTech



BTW30113

Description :
 Caliper Mechanism Shaft Housing R/H

Application :
 1600-1300 V-G Type

OEM No :
 BrakingTech



BTW30114

Description :
 Caliper Mechanism Shaft Housing L/H

Application :
 1600-1300 V-G Type

OEM No :
 BrakingTech



BTW30115

Description :
 Caliper Lever
Application :
 1600-1300 V-G Type
OEM No :
 BrakingTech



BTW30116

Description :
 Caliper Brake Lining Plate
Application :
 1600-1300 V-G Type
OEM No :
 SerinFren



BTW30117

Description :
 Caliper Repair Kit
Application :
 1600VG,MB Bus,Neoplan,DAF-F-55
OEM No :
 12 999 551, 000 420 0982, N1.01101.5717,
 12999551VT

No	BT No	Information
1	BTT333 x 1	Pin 35x110mm
2	BTT382 x 1	Pin 34,8x98,5mm
3	BTC93 x 2	Pin Bolt M16 x 1,5 x 110m ...
4	BTS125 x 2	Pin Cap 42/17mm
5	BTB34 x 4	Pin Bush 35x39x20 mm
6	BTK119 x 2	Pin Boot



BTW30118

Description :
 Caliper Repair Kit(New)
Application :
 RENAULT Midlum,VOLVO FL
OEM No :
 SerinFren

No	BT No	Information
1	BTT42 x 1	Pin Ø 38 / 104 mm
2	BTC1-01 x 1	Screw M16 x 1,5 / 80 mm
3	BTT43 x 1	Pin Ø 37,7 / 76 mm
4	BTC1-01 x 1	Screw M16 x 1,5 / 80 mm
5	BTB20 x 3	Bush Ø 38 x 42 / 30 mm
6	BTS58 x 2	Metal Tap Ø 42 / 17 mm
7	BTK149 x 2	Boot
8	BTK190 x 1	Rubber Tap
9	BTK67 x 1	Boot



BTW30119

Description :
 Caliper Repair Kit

Application : :
 SCHMITZ,RVI MIDLUM, VOLVO F

OEM No :
 640 319 922 2, 6403199222, 7421748972, 21748973

No	BT No	Information
1	BTK149 x 2	Boot
2	BTB20 x 3	Bush Ø38x 42/ 30 mm
3	BTC1-01 x 2	Screw M16x1,5x80mm
4	BTS58 x 2	Metal Tap Ø42 / 17mm
5	BTK67 x 1	Boot



BTW30120

Description :
 Caliper Dust Rubber Kit MAXX

Application : :
 SCHMITZ,RVI MIDLUM,VOLVO F,HENDRICKSON

OEM No :
 BrakingTech, 1160667, SCB430W1

No	BT No	Information
1	BTK149 x 2	Boot
2	BTK67 x 1	Boot



BTW30121

Description :
 Caliper Cover Seal MAXX

Application : :
 MERCEDES AROCS,VOLVO,RENAULT,SCHMITZ

OEM No :
 SerinFren

No	BT No	Information
1	BTK81 x 5	Dust Seal



BTW30122

Description :
 Caliper Adjuster Mechanism

Application : :
 MAXX17

OEM No :
 BraKingTech

No	BT No	Information
1	BTT415 x 1	Adjusting



BTW30122-01

Description :
 Adjusting Mechanism Kit

Application :
 MAXX17 (CWS Type)

OEM No :
 BrakingTech

No	BT No	Information
1	BTT449 x 1	Adjuster Sleeve
2	BTT450 x 1	Calibration Bolt
3	BTT451 x 1	Spring Ø42,6 x 25 mm
4	BTT452 x 1	Spring Plug Ø39 x Ø34 x ...
5	BTT453 x 1	Adjuster Gear
6	BTT454 x 1	Spring Retainer Ø39 x Ø ...



BTW30123

Description :
 Caliper Complete Mechanism Set(New)

Application :
 MAXX17

OEM No :
 SerinFren

No	BT No	Information
1	BTT423 x 1	Complete Mechanism
2	BTY56 x 2	Spring



BTW30123-01

Description :
 Caliper Complete Mechanism

Application :
 MAXX17 (CWS Type)

OEM No :
 SerinFren

No	BT No	Information
1	BTT424 x 1	Complete Mechanism
2	BTY56 x 2	Spring



BTW30124

Description :
 Caliper Mechanism Housing Kit

Application :
 MAXX17

OEM No :
 BrakingTech

No	BT No	Information
1	BTT303 x 1	Mechanism Body
2	BTY56 x 2	Spring



BTW30124-01

Description :
 Caliper Mechanism Housing Kit

Application :
 MAXX17 (CWS Type)

OEM No :
 BrakingTech

No	BT No	Information
1	BTT426 x 1	Mechanism Body
2	BTY56 x 2	Spring



BTW30125

Description :
 Caliper Lever

Application :
 MAXX17, Renault Midlum, Volvo FLII-FLII, MB

OEM No :
 BrakingTech

No	BT No	Information
1	BTT222 x 1	Lever



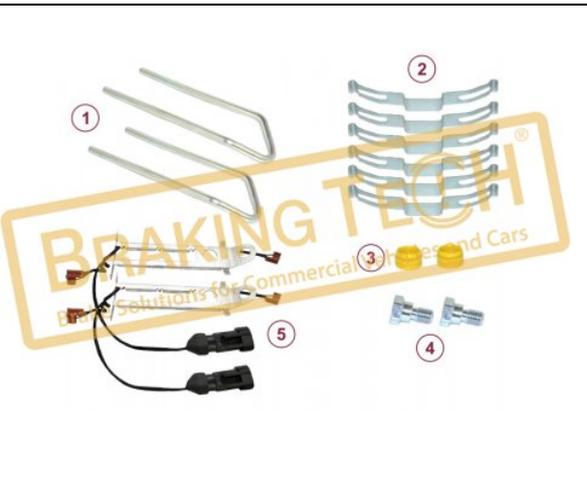
BTW30125-01

Description :
 Caliper Lever

Application :
 MAXX17 (CWS Type)

OEM No :
 BrakingTech

No	BT No	Information
1	BTT427 x 1	Lever



BTW30126

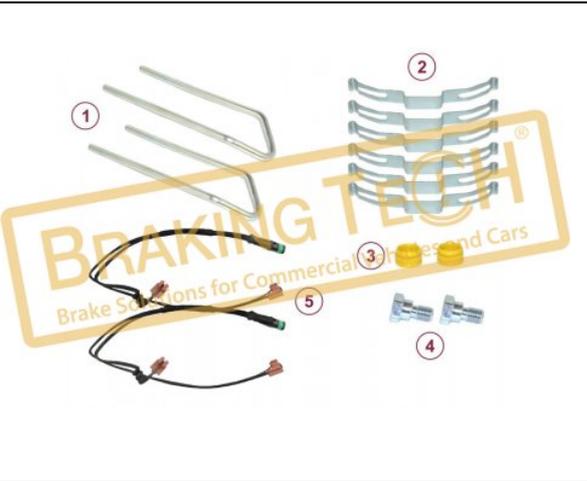
Description :
 Caliper Brake Pad Retainer Set

Application :
 R.V.I. Midlum, DAF 45 LF

OEM No :
 SerinFren

WVA :
 29088

No	BT No	Information
1	BTSI34 x 2	Pad Retainer
2	BTSI35 x 6	Retainer Shield
3	BTK69 x 2	Rubber Tap
4	BTC90 x 2	Screw M10x1,5
5	BTWS5300 x 2	Indicator Cable (370 mm)



BTW30127

Description :
 Caliper Brake Pad Retainer Set(inc.Indicators)

Application :
 MAN L2000,OPTARE

OEM No :
 12999577, 12182192, 12182145

WVA :
 29088

No	BT No	Information
1	BTS134 x 2	Pad Retainer
2	BTS135 x 6	Retainer Shield
3	BTK69 x 2	Rubber Tap
4	BTC90 x 2	Screw M10x1,5
5	BTWS7400 x 2	Indicator Cable



BTW30128

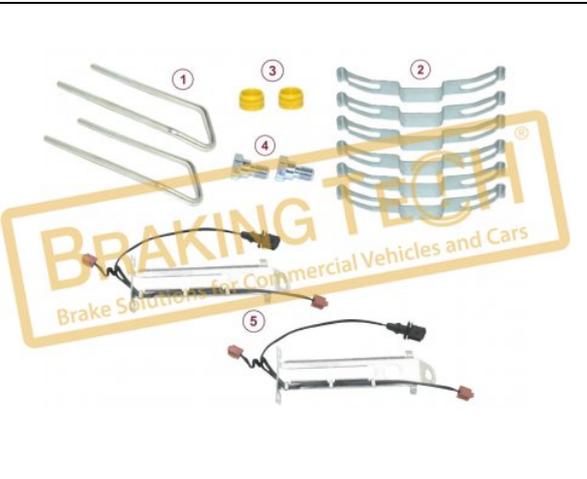
Description :
 Caliper Brake Pad Retainer Set

Application :
 DAF,MAN,OTOKAR,ISUZU,MB,R.V.I.,IVECO

OEM No :
 969900275, 68323004

WVA :
 29141, 29142, 29119

No	BT No	Information
1	BTS130-01 x 2	Pad Retainer 171mm(Length ...
2	BTS131 x 4	Retainer Shield
3	BTC89 x 2	Screw M10x1,25/ 20mm
4	BTK69 x 2	Rubber Tap
5	BTWS8400 x 2	Indicator Cable 375 mm



BTW30129

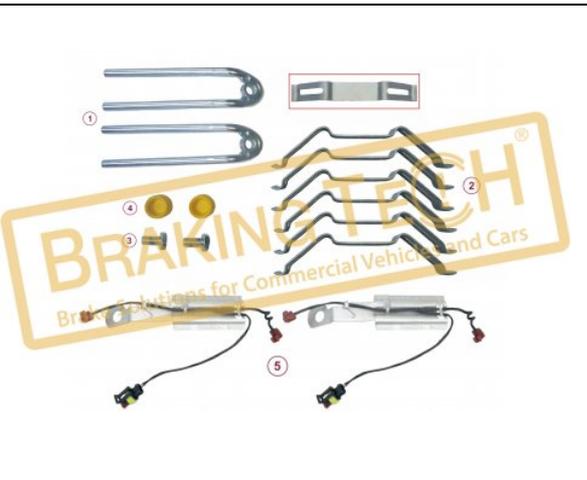
Description :
 Caliper Brake Pad Retainer Set(inc.Indicators)

Application :
 IVECO Eurocargo 110E,120E,MAN L2000

OEM No :
 5010848607

WVA :
 29088

No	BT No	Information
1	BTC134 x 2	Pad Retainer
2	BTS135 x 6	Retainer Shield
3	BTK69 x 2	Rubber Tap
4	BTC90 x 2	Screw M10x1,5
5	BTWS5200 x 2	Indicator Cable (370 mm)



BTW30130

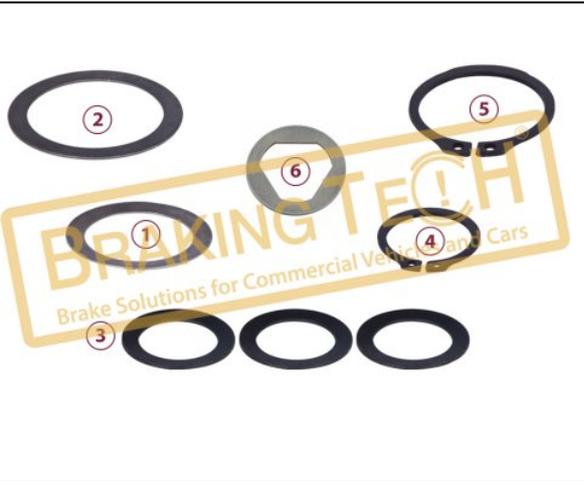
Description :
 Caliper Brake Pad Retainer Set(inc.indicators)

Application :
 DAF,SAF,RENAULT MIDLUM,SAUER

OEM No :
 68323004, 12999797, 1628064

WVA :
 29159, 29126

No	BT No	Information
1	BTS130-01 x 2	Pad Retainer 171mm(Length ...
2	BTS132 x 6	Retainer Shield
3	BTC89 x 2	Screw M10x 1.50x 20mm
4	BTK69 x 2	Rubber Tap
5	BTWS9500 x 2	Indicator Cable (285 mm)



BTW30131

Description :
 Caliper Washer & Circlip Repair Kit

Application :
 MAXX17 (CWS Type)

OEM No :
 BT Only

No	BT No	Information
1	BTS138 x1	Washer Ø46,75 x Ø34,5 m ...
2	BTS139 x1	Washer Ø52,7 x Ø41 mm 1
3	BTS140 x3	Washer Ø35,3 x Ø24,3 mm
4	BTSK18 x1	Circlip
5	BTSK17 x1	Circlip
6	BTT355 x1	Locker



BTW30132

Description :
 Caliper Sensor MAXX17

Application :
 VOLVO,RENAULT

OEM No :
 640 317 920 2, 6403179202, 21749009,
 7421749003, 6403170100, 6403170120,
 6403170220

No	BT No	Information
1	BTP55-02 x1	Sensor 110cm



BTW30132-01

Description :
 Caliper Sensor MAXX17

Application :
 RENAULT,VOLVO

OEM No :
 640 317 921 2, 6403179212, 21749008,
 7421749002, 6403170050, 6403170210,
 6403170240

No	BT No	Information
1	BTP55-03 x1	Sensor 130cm



BTW30133

Description :
 Caliper Sensor MAXX19

Application :
 VOLVO,RENAULT

OEM No :
 640 319 920 2, 6403199202, 21749007,
 4721749005, 6403190060, 6403190180

No	BT No	Information
1	BTP55-04 x1	Sensor 110cm



BTW30133-01

Description :
 Caliper Sensor MAXX19

Application :
 RENAULT,VOLVO

OEM No :
 640 319 921 2, 6403199212, 21749006,
 7421749004, 6403190010, 6403190150

No	BT No	Information
1	BTP55-05 x 1	Sensor 130cm



BTW30134

Description :
 Caliper Repair Kit

Application :
 RENAULT MIDLUM,FRUEHAUF,DAF LF 55

OEM No :
 6082006, 5021170487, 12999677, 865965,
 CWSK.9

No	BT No	Information
1	BTT195 x 2	Tappet and Boot
2	BTK70 x 2	Boot (White)
3	BTS57 x 2	Metal Ring
4	BTC1 x 1	Bolt(Short) M16x 1,5x 80m ...
5	BTC60 x 1	Bolt(Long) M16x1,5 x130 m ...
6	BTK69 x 2	Rubber Tap
7	BTK110 x 1	Outer Boot
8	BTS99 x 1	Steel Cap Ø51,5 x 11,50 ...
9	BTS58 x 1	Steel Cap Ø42,5 x 17 mm
10	BTSK4 x 2	Snap Ring



BTW30300

Description :
 Caliper Complete Set

Application :
 FREIGHTLINER

OEM No :
 SerinFren



BTW30301

Description :
 Caliper Complete Set MAXX22T

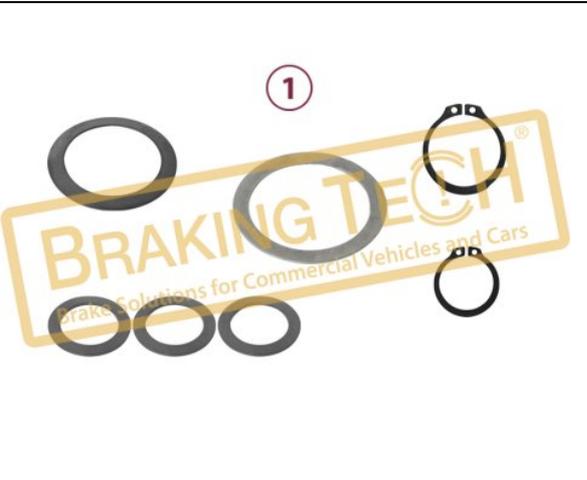
Application :
 SCHMITZ,FREIGHTLINER,HENDRICKSON

OEM No :
 SerinFren



BTW30302

Description :
 Caliper Complete Repair Set(New)
Application :
 MB AROCS,DAEWOO
OEM No :
 SerinFren



BTW30306

Description :
 Washer & Circlip Repair Kit
Application :
 MAXX17
OEM No :
 BrakingTech



BTW30308

Description :
 Plug & Adjuster Pin Repair Kit
Application :
 MAXX17 (CWS Type)
OEM No :
 640 317 92 62, 7421749014, 21749015

No	BT No	Information
1	BTK190-01 x1	Rubber Tap
2	BTT432-01 x1	Seal
3	BTT384 x1	Adjuster Pin
4	BTT383 x1	Gear
5	BTC105 x1	Screw



BTW30309

Description :
 Push Plate (Left)
Application :
 MAXX17 (CWS Type)
OEM No :
 6401759402

No	BT No	Information
1	BTT455 x1	Plate (Left)



BTW30310

Description :
 Push Plate (Right)

Application : :
 MAXX17 (CWS Type)

OEM No :
 6401759402

No	BT No	Information
1	BTT456 x 1	Plate (Right)



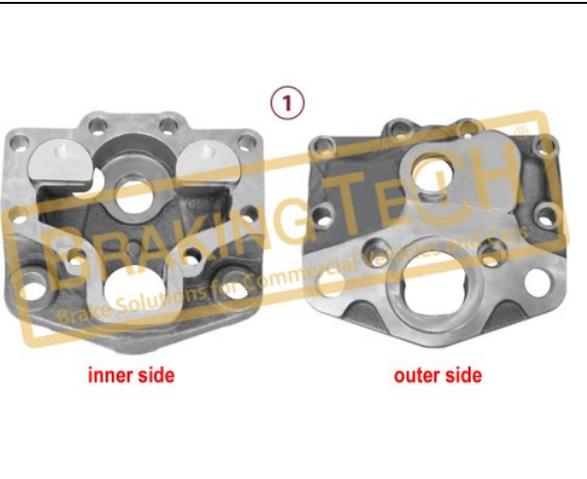
BTW30311

Description :
 Caliper Upper Cover

Application : :
 MAXX17 (CWS Type)

OEM No :
 BrakingTech

No	BT No	Information
1	BTT457 x 1	Cover



BTW30311-01

Description :
 Caliper Upper Cover

Application : :
 MAXX 17 Type

OEM No :
 BrakingTech



BTW30313

Description :
 Caliper Complete Mechanism Set(NEW)

Application : :
 VOLVO FL,RENAULT MIDLUM

OEM No :
 6403190380

No	BT No	Information
1	BTT458 x 1	Complete Mechanism
2	BTY28 x 2	Spring



BTW30314

Description :
 Caliper Mechanism Body

Application : :
 VOLVO FL,RENAULT MIDLUM

OEM No :
 6403190380

No	BT No	Information
1	BTT459 x1	Bridge
2	BTY28 x 2	Spring



BTW30315

Description :
 Caliper Adjusting Mechanism

Application : :
 VOLVO FL,RENAULT MIDLUM

OEM No :
 6403190380

No	BT No	Information
1	BTT457 x 1	Adjusting Mechanism



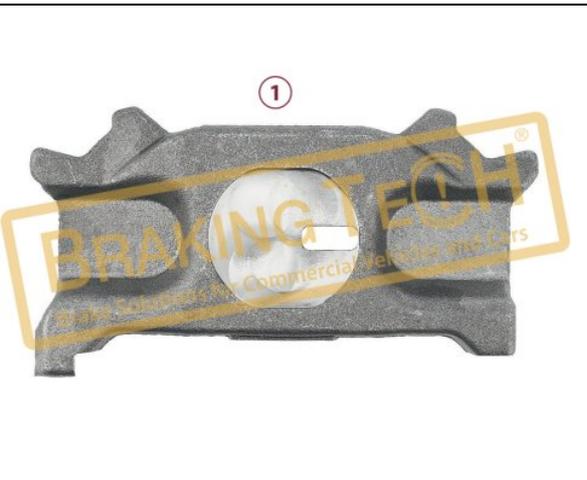
BTW30316

Description :
 Caliper Push Plate Slotted (Right)

Application : :
 RENAULT Midlum,VOLVO FL

OEM No :
 640 319 929 2

No	BT No	Information
1	BTT472 x 1	Push Plate Slotted (Right ...



BTW30317

Description :
 Caliper Push Plate Slotted (Left)

Application : :
 RENAULT Midlum,VOLVO FL

OEM No :
 640 319 929 2

No	BT No	Information
1	BTT473 x 1	Push Plate Slotted (Left) ...



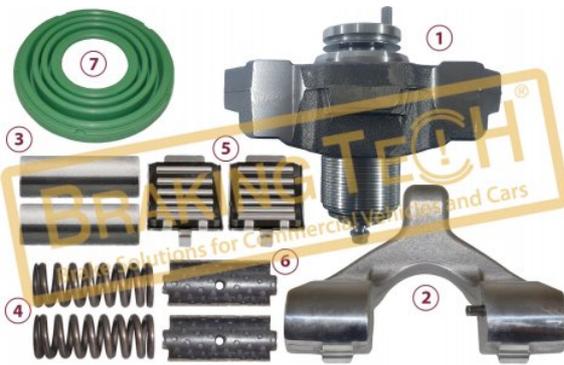
BTW30318

Description :
 Caliper Metal Cover MAXX 19

Application :
 RENAULT Midlum, VOLVO FL

OEM No :
 6403190380

No	BT No	Information
1	BTS169 x 1	Cover (with gasket)
2	BTC9 x 6	Bolt M8x16mm



BTW30319

Description :
 Caliper Service Set MAXX22T

Application :
 SCHMITZ, HENDRICKSON, SCANIA

OEM No :
 SerinFren

No	BT No	Information
1	BTT398 x 1	Mechanism Complete
2	BTT397 x 1	Lever
3	BTT238 x 2	Pin
4	BTY40 x 2	Spring
5	BTR23 x 2	Roller Bearing
6	BTS68 x 2	Lever Bearing
7	BTK67 x 1	Rubber Cap

BTW30320

Description :
 Caliper Repair Set

Application :
 MAXX22, MAXX22L, MB AROCS

OEM No :
 SerinFren

BTW3200100

Description :
 Caliper Complete Pan17.5(R/H)

Application :
 DAF, IVECO, RVI, MAN, AVIA

OEM No :
 40175050, 40 175 050, 40175057, 40175091, 57RS301085, 1505373, 81508049088, 81.50804.9088, 82586840, 81508046070, 81508046354, 81508049070, 9704202601, 412430351, 1440501, 40175069, 500328234, 5010422261, 81508046090, 81508046072, 423301, 40175073NX





BTW3200101

Description :
 Caliper Complete Pan17.5(L/H)

Application : :
 DAF,IVECO,RVI,MAN,AVIA

OEM No :
 40175049, 40 175 049, 40175056, 40175090, 57RS301084, 1505372, 81508049087, 81.50804.9087, 82586740, 81508046071, 81508046087, 81.50804.6087, 81508046089, 81508046355, 81508049071, 9704202501, 412430350, 1440500, 40175068, 500328232, 5010422260, 81508046073, 40175072NX, 423300



BTW3200102

Description :
 Complete Caliper Pan22.5(R/H)

Application : :
 DAF,Scania,SAF axles,SCHWARZMÜLLER,DEXTER,FAW

OEM No :
 3080005120, 40 225 008, 9285260, 40225008, 09285260, 4080005000, 6402250630, 6402250610, 50302003, S-33648-3, 40225016, 640 225 057 0, 640 225 061 0, 640 195 088 0, 3 080 0050 00, 3 080 0050 20, 79822, 40225012, 3501030A4S, 877934, 2093077, 40225016XCN



BTW3200103

Description :
 Complete Caliper Pan22.5(L/H)

Application : :
 DAF,Scania,SAF axles,SCHWARZMÜLLER,DEXTER,FAW

OEM No :
 40 225 007, 40225007, 9285259, 09285259, 4080005100, 6402250620, 6402250600, 50300002, S-33648-2, 40225015, 640 225 056 0, 640 225 060 0, 40 225 011, 640 225 032 0, 640 225 090 0, 640 225 120 0, 3 080 0051 00, 79821, 40225011, 3501025A4S, 877933, 2093076, 40225015XCN



BTW3200104

Description :
 Complete Caliper Pan22.5 (R/H)

Application : :
 SAF Axles

OEM No :
 640225026A, 6402250490, 6402250260, 6402250230, 03080006800, 03080006820



BTW3200105

Description :
 Complete Caliper Pan22.5 (L/H)

Application : :
 SAF Axles

OEM No :
 640225025A, 6402250480, 6402250250, 6402250220, 03080006700, 03080006720



BTW3200106

Description :
 Caliper Complete MAXX22T R/H excl.carrier

Application : :
 SCHMITZ CARGOBULL,HENDRICKSON

OEM No :
 6402220080, S-35303-8, S-35973-R, 640222004R, 1199857, 1156802



BTW3200106-01

Description :
 Caliper Complete MAXX22T R/H

Application : :
 SCANIA,SCHMITZ CARGOBULL,HENDRICKSON

OEM No :
 6402220040, 6402220020, 6402220012, 1156802, 1199857



BTW3200107

Description :
 Caliper Complete MAXX22T L/H excl.carrier

Application : :
 SCHMITZ CARGOBULL,HENDRICKSON

OEM No :
 640222003R, 1156800, 1199856, 6402220070, S-35303-7, S-35973-L



BTW3200107-01

Description :
 Caliper Complete MAXX22T L/H

Application : :
 SCANIA,SCHMITZ CARGOBULL,HENDRICKSON

OEM No :
 6402220030, 6402220010, 6402220002, 1156800, 1199856



BTW3200108

Description :
 Complete Caliper Pan22.5 (R/H)

Application : :
 SCHMITZ TRAILER

OEM No :
 6402250410, SCB1068162, 1068162, WA6402250410



BTW3200109

Description :
 Complete Caliper Pan22.5 (L/H)

Application : :
 SCHMITZ TRAILER

OEM No :
 6402250400, SCB1068161, 1068161, WA6402250400



BTWS5200

Description :
 Brake Pad Wear Indicator(370mm)

Application : :
 MAN F 2000 L 2000,RVI MIDLUM

OEM No :
 33 48 0087, 815 0822 6014, 81508226014, 5010848607

WVA :
 29055

BTC0101107

Description :
 Caliper Carrier Wabco R/L(Pan19)

Application :
 Saf Axle Jumbo

OEM No :
 6401957406

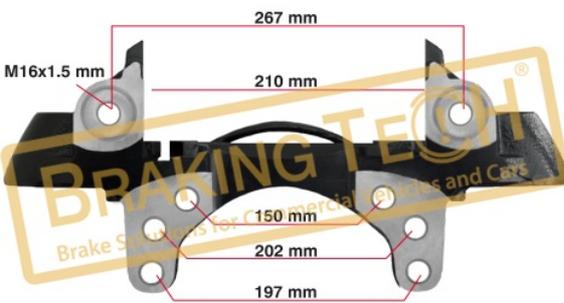


BTC0101113

Description :
 Caliper Carrier Maxx22T L/H

Application :
 SCHMITZ Axles SCB430W1,D3-6K25

OEM No :
 6402227406

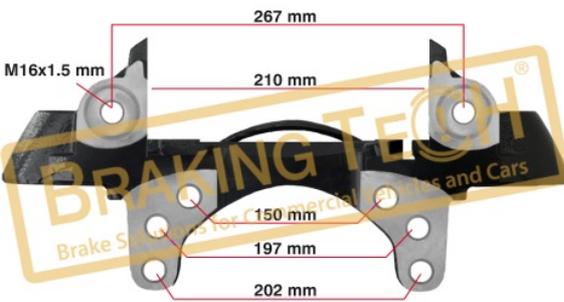


BTC0101114

Description :
 Caliper Carrier Maxx22T R/H

Application :
 SCHMITZ Trailers Axles SCB430W1,D1-6J20

OEM No :
 6402227406

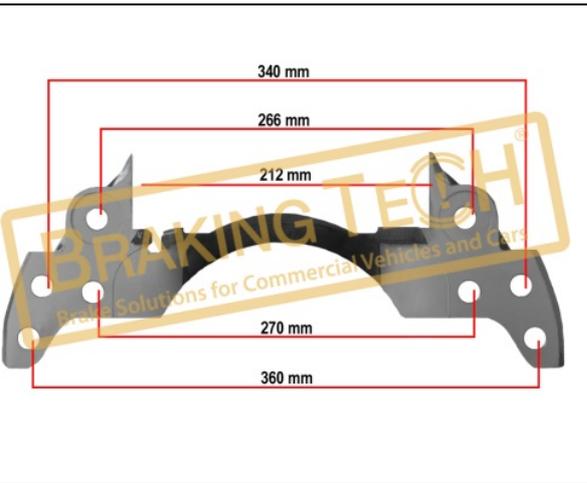


BTC0101116

Description :
 Caliper Carrier Wabco R/H(Pan19)

Application :
 PAN19 Type

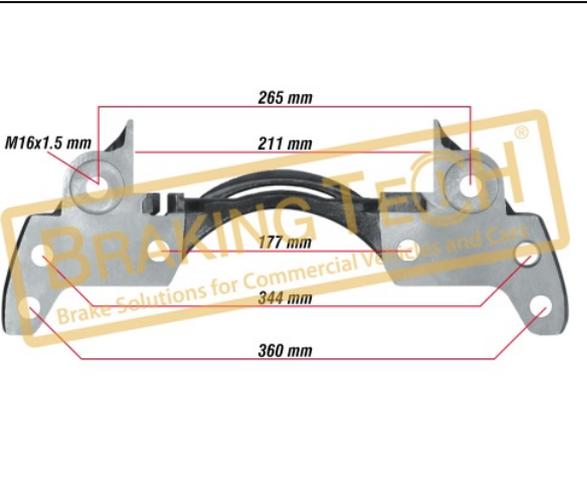




BTC0101117

Description :
 Caliper Carrier Wabco L/H(Pan19)

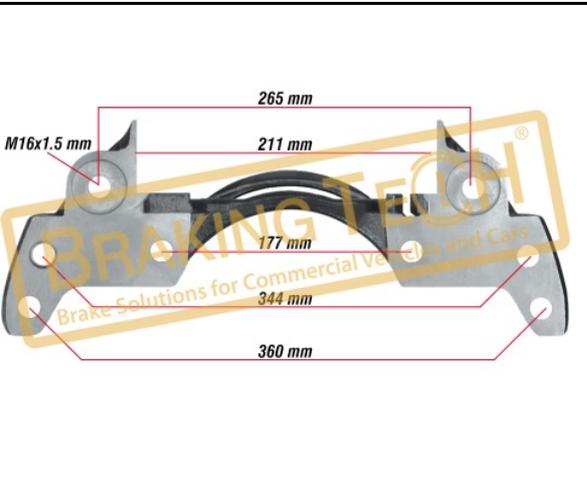
Application : :
 PAN19 Type



BTC0101118

Description :
 Caliper Carrier Wabco L/H(Pan19)

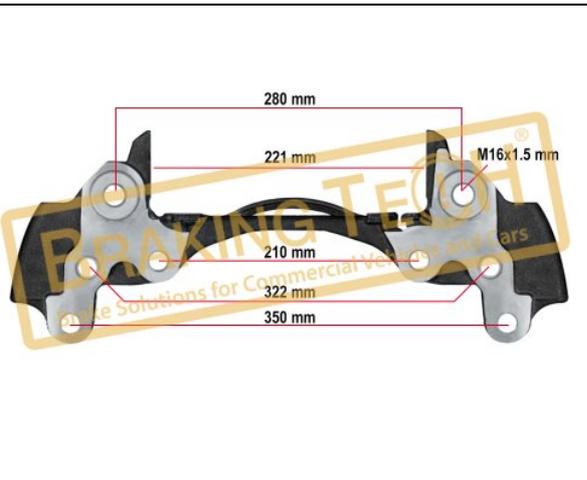
Application : :
 Pan19,5



BTC0101119

Description :
 Caliper Carrier Wabco R/H(Pan19)

Application : :
 Pan19,5

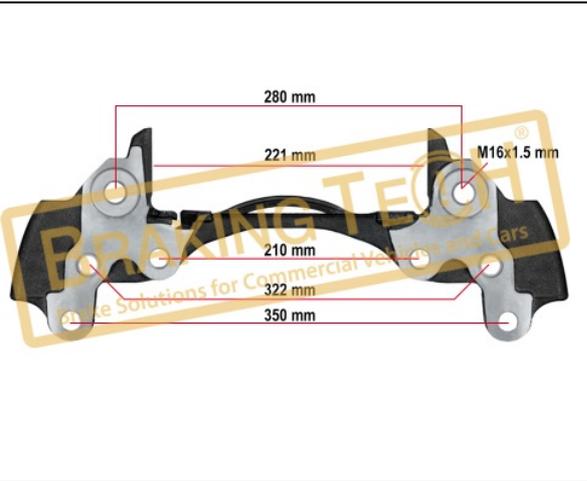


BTC0101122

Description :
 Caliper Carrier Maxx22 Arocs(Rear/Right)

Application : :
 MAXX22,MAXX22L,MB Type

OEM No :
 640 915 745 4, 000 423 2206, A0004232206

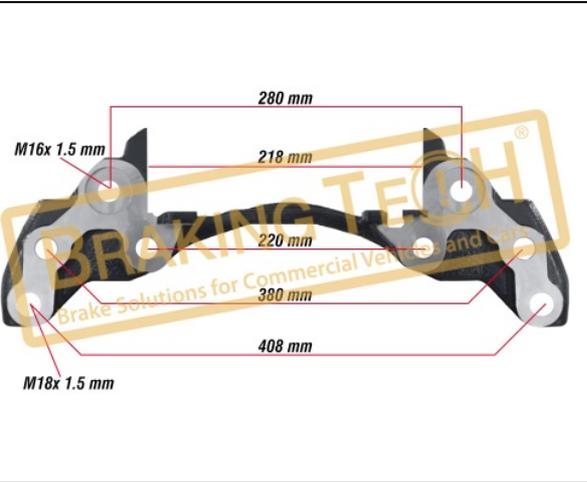


BTC0101123

Description :
 Caliper Carrier Maxx22 Arocs(Rear/Left)

Application : :
 MAXX22,MAXX22L,MB Type

OEM No :
 640 915 744 4, 000 423 2306, A0004232306

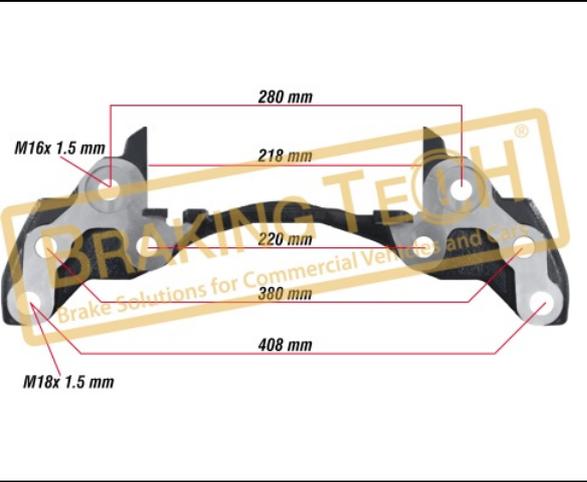


BTC0101124

Description :
 Caliper Carrier Maxx22 MAN(R/H)

Application : :
 Maxx22,MAN Type,22,5"

OEM No :
 640 322 005 0, 640 322 008 0, 81 50804 6576, 81 50804 6580

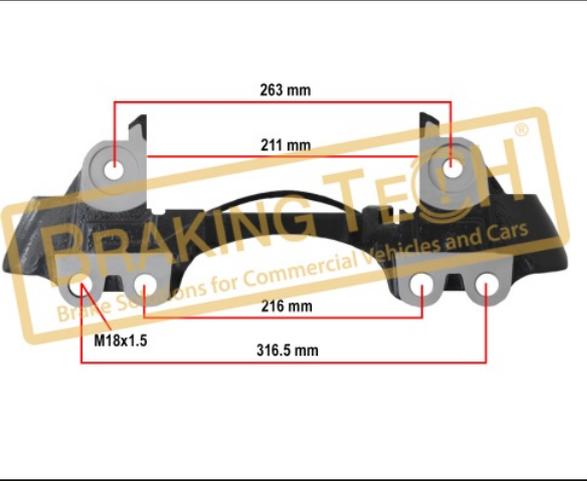


BTC0101125

Description :
 Caliper Carrier Maxx22 MAN(L/H)

Application : :
 Maxx22,MAN Type,22,5"

OEM No :
 640 322 004 0, 640 322 007 0, 81 50804 6577, 81 50804 6581

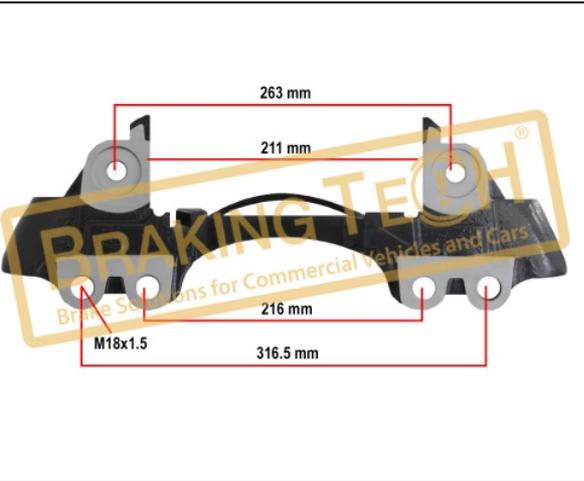


BTC0101137

Description :
 Caliper Carrier Wabco Pan22(R/H)

Application : :
 22.5"SAF Trailer Axle 4 Hole

OEM No :
 3 080 0072 21, 3 080 0074 20, 640 195 069 0, 640 195 075 0



BTC0101138

Description :

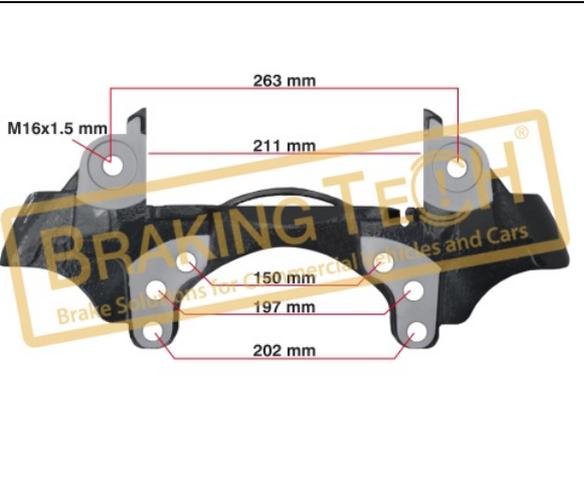
Caliper Carrier Wabco Pan22(L/H)

Application :

22.5"SAF Trailer Axle 4 Hole

OEM No :

3 080 0071 21, 640 195 068 0, 640 195 074 0, 3 080 0073 20



BTC0101218

Description :

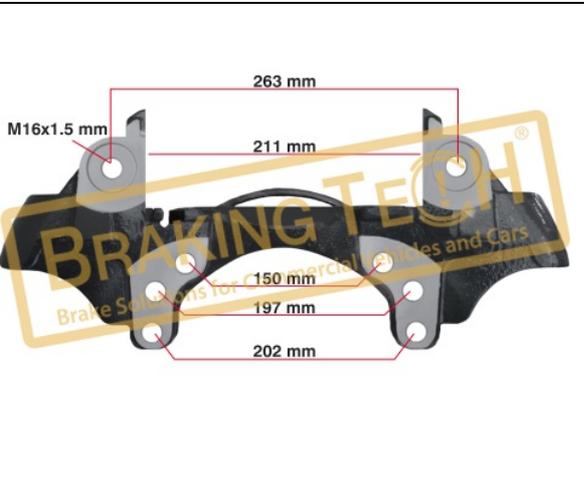
Caliper Carrier Wabco Pan22(R/H)

Application :

VALX Axle 22.5"

OEM No :

6402250310, SCB1035095, 1063037



BTC0101219

Description :

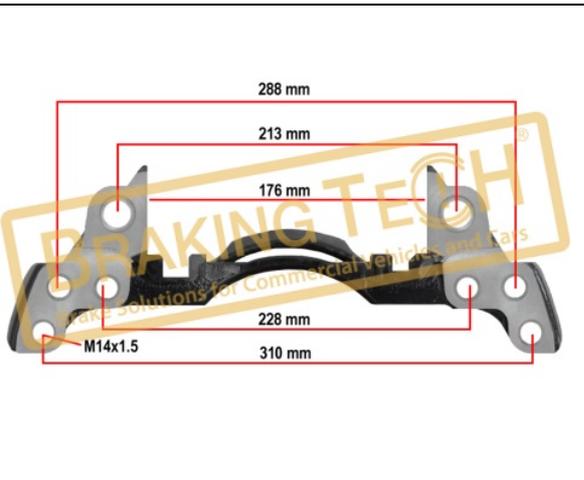
Caliper Carrier Wabco Pan22(L/H)

Application :

VALX Axle 22.5"

OEM No :

6402250300, SCB1035094, 1063036



BTC010187

Description :

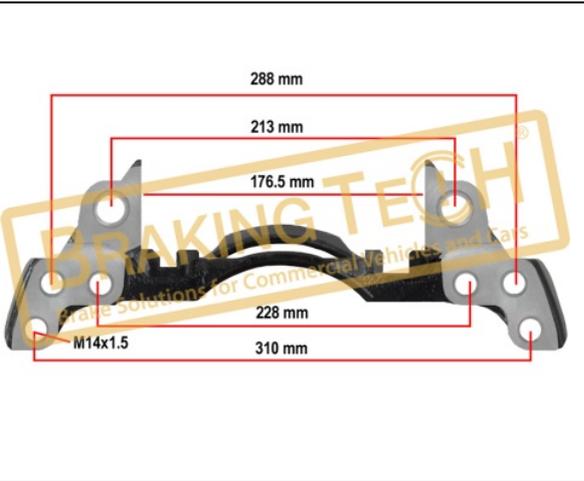
Caliper Carrier Wabco Left(Pan17.5)

Application :

DAF,IVECO,RVI,MAN,AVIA

OEM No :

81.50804.6355, 81.50804.6087, 81.50804.6071, 81.50804.9071, 81.50804.9087, 81.50804.6089, 1505372, 81.50804.6070, 81.50804.9070, 81.50804.6354, 81.50804.9088, 1505373, 40175050

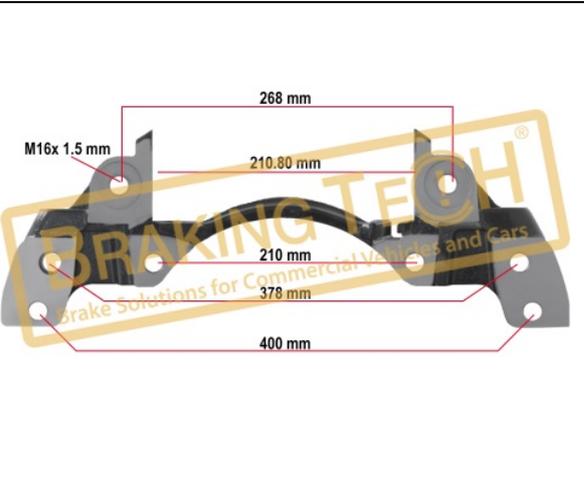


BTC010188

Description :
Caliper Carrier Wabco Right(Pan17.5)

Application :
DAF,IVECO,RVI,MAN,AVIA

OEM No :
81.50804.6355, 81.50804.6087 , 81.50804.6071, 81.50804.9071 , 81.50804.9087, 81.50804.6089, 1505372, 81.50804.6070, 81.50804.9070, 81.50804.6354, 81.50804.9088, 1505373, 40175050

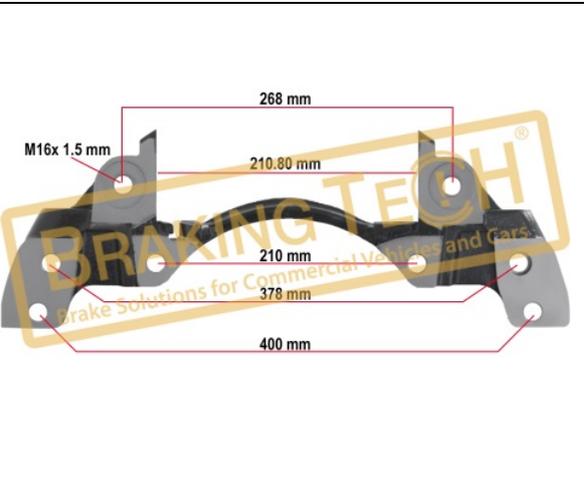


BTC010189

Description :
Caliper Carrier Wabco R/H(Pan22)

Application :
SMB,SAE,GIGANT,SAF

OEM No :
40 195 018 , 40 195 002, 3.080.0032.20, 3.080.0018.01, 14 174 168



BTC010190

Description :
Caliper Carrier Wabco L/H(Pan22)

Application :
SMB,SAE,GIGANT,SAF

OEM No :
40 195 017, 40 195 001, 3.080.0033.20, 3.080.0019.01, 14 174 188



BTC0101958

Description :
Caliper Connecting Bolt Set

Application :
Wabco Calipers,Knorr Calipers ST6,ST7,NA7

OEM No :
SerinFren

No	BT No	Information
1	BTC95 x 12	Screw set M16 x 1,5 x 50 ...



BTC0101987

Description :

Caliper Connecting Bolt Kit

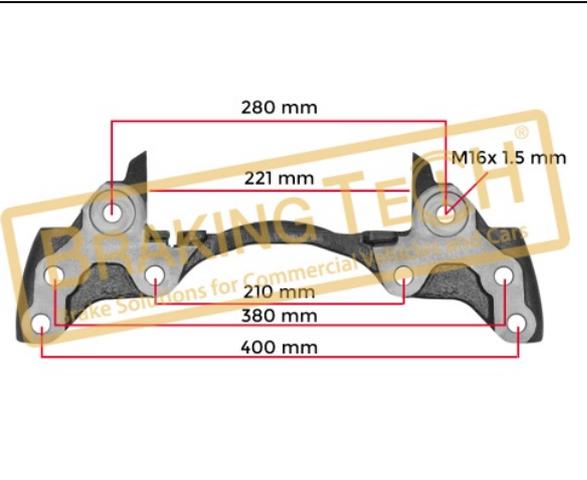
No	BT No	Information
1	BTC106 x 6	Screw M18 x 65 x 45 x ...

Application : :

Wabco Calipers

OEM No :

SerinFren



BTC0101998

Description :

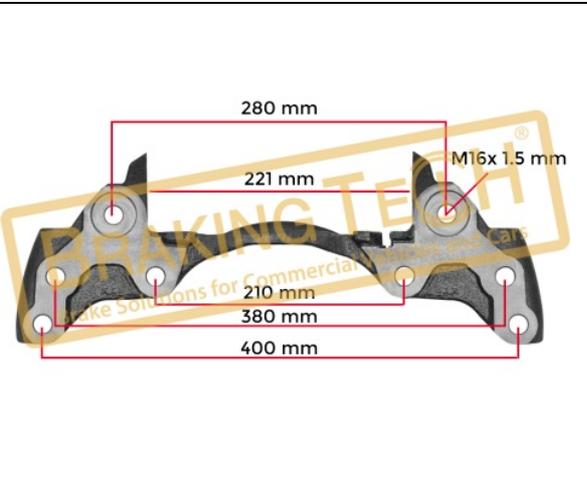
Caliper Carrier Maxx22 Arocs(Front/Left)

Application : :

MAXX 22L,MB Type 22.5 "

OEM No :

6409157424, A0004216506, 0004216506, 640 915 742 4



BTC0101999

Description :

Caliper Carrier Maxx22 Arocs(Front/Right)

Application : :

MAXX 22L,MB Type 22.5 "

OEM No :

6409157434, A0004216406, 0004216406, 640 915 743 4

BRAKING TECH®

Brake Solutions for Commercial Vehicles and Cars

www.brakingtech.com

www.serinfren.com

[f /BrakingTech](https://www.facebook.com/BrakingTech)

[s /SerinoTomotiv.Oğuz](https://www.youtube.com/channel/UC...)

[y /Oğuz Serin](https://www.youtube.com/channel/UC...)

[i /brakingtech](https://www.instagram.com/brakingtech)

[in /BrakingTech-Serin Otomotiv](https://www.linkedin.com/company/BrakingTech-Serin-Otomotiv)



Yedek Parça Otomotiv
San.Tic. A.Ş.

Kemalpaşa Mah. 7105 Sokak No:4 35060 Pınarbaşı
Bornova / İzmir / TURKEY

export@brakingtech.com

[+90 232 478 5657](tel:+902324785657)

[+90 232 478 5658](tel:+902324785658)